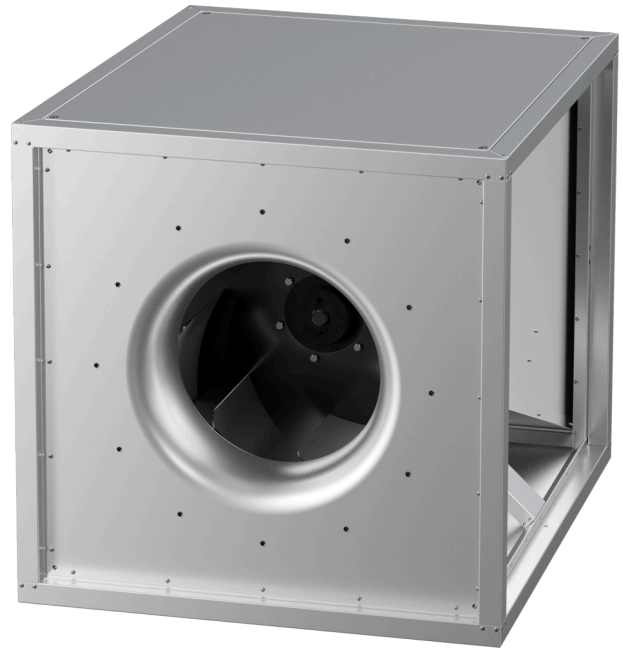


MPC 630 D4 T40

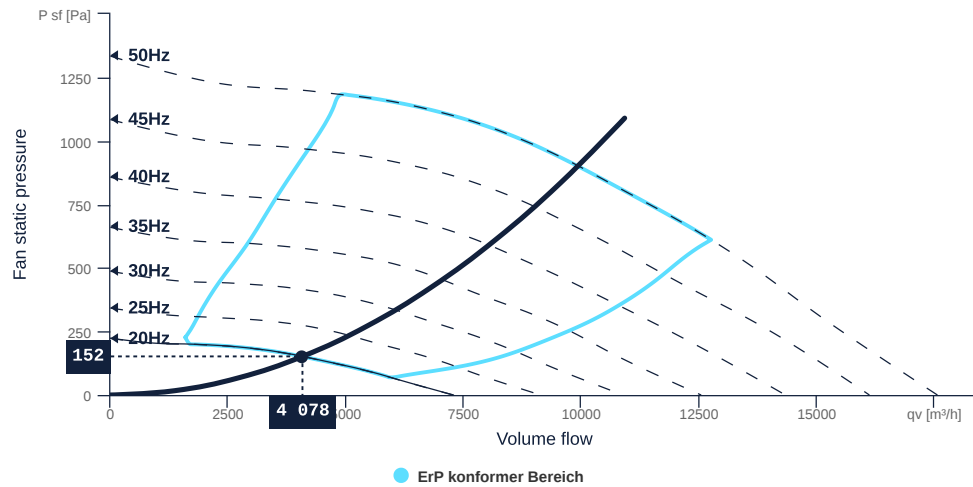
157241

- Backward curved centrifugal impeller
- Removable side walls, variable discharge direction
- Sheet steel housing double-walled, 30 mm mineral wool
- IE3 motor outside the airflow, controllable
- Conveyed medium temperature up to 120 °C in continuous operation
- Housing bottom designed with integrated drain



FAN CURVES

Name	Value	Unit
Volume flow	4078	m³/h
Pressure	152	Pa



to the product detail page

MPC 630 D4 T40

157241

TECHNICAL SPECIFICATIONS

Name	Value	Unit	Formula symbol
Volume flow	4078	m ³ /h	qv _{calc}
Pressure	152	Pa	ps _{calc}
Fan pressure	153	Pa	pf
Fan static pressure	152	Pa	psf
Current consumption Motor	3	A	le
Current consumption Electric	0	A	led
Electrical power consumption	344	W	P _{ek}
Electrical power consumption	410	W	P _{edk}
Frequency	20	Hz	frq
Rotation speed	586	1/min	N
Total static efficiency	50	%	etaFaPeK
Total speed controlled static efficiency	41	%	etaFaPedK
Total efficiency	50	%	etatPeK
Total speed controlled efficiency	42	%	etatPedK
SFP (entire device)	303	W/(m ³ /s)	sfp _{device}
Sound power level inlet	65	dB(A)	LwA5
Sound power level outlet	68	dB(A)	LwA6
Sound power level housing radiation	56	dB(A)	LwA2

SOUND DATA

Sound power	mid-frequency tape										Unit	Formula symbol
	Σ	63	125	250	500	1000	2000	4000	8000	16000		
suction	66	45	57	60	59	60	55	51	49	35	dB(A)	LwA5
blowout	69	46	55	60	65	63	58	53	48	33	dB(A)	LwA6
Casing break out	57	45	49	50	50	47	44	38	48	35	dB(A)	LwA2

SOUND PRESSURE LEVEL CALCULATOR

Name	Value	Unit
Enveloping surface	Halphsphere	
Distance	3	m

Sound pressure	NR	mid-frequency tape										Unit	Formula symbol
		Σ	63	125	250	500	1000	2000	4000	8000	16000		
suction	42	48	27	39	43	41	42	38	34	31	18	dB(A)	LwA5
blowout	46	51	28	37	43	47	45	40	36	30	15	dB(A)	LwA6
Casing break out	38	39	27	31	33	32	29	27	20	30	17	dB(A)	LwA2



to the product detail page

MPC 630 D4 T40

157241

GENERAL DATA

Name	Value	Unit	Formula symbol
Labeling	CE, UKCA		
Duct size	-		WxH _{duct}
Pipe connection size (DN)	DN630		DN
Rated voltage (entire device)	400	V	U _{rated}
Phases (entire device)	3~		phase
Electrical protection (entire device)	10 A		fuse
Housing material	Galvanized steel		mat _{casing}
Impeller material	Coated steel		mat _{impeller}
Weight	140	kg	m
Nominal air flow rate, nominal point m ³ /h	9025.2	m ³ /h	q _{v,nom}
Nominal external pressure, static	942.3	Pa	p _{s,nom}
Fan type	Radial		Fan _{type}
Category / Installation situation	A		cat

ERP DATA (LOT 6)

Name	Value	Unit	Formula symbol
Nominal air flow rate, nominal point m ³ /s	2.51	m ³ /s	q _{v,nom}
Actual electrical input power, nominal point	4.07	kW	P _{e,nom}
Face velocity, nominal point	4.3	m/s	v _{nom}
Nominal external pressure, static	942.3	Pa	p _{s,nom}
supply air fan static efficiency, nominal point	66.7	%	η _{es,SUP}
Highest external air leakage rate	0.02	%	
Enclosure sound level, nominal point	84	dB(A)	L _{WA2}
Rating	Product is compliant 2018		

MAXIMAL DATA

Name	Value	Unit	Formula symbol
Max. power consumption (device)	4325	W	P _{ed, max}
Max. operating current (device)	8.82	A	I _{ed, max}
Max. speed	1480	1/min	n _{max}
Max. stat. efficiency	55.8	%	η _{es}
Max. fan efficiency	56.6	%	η _e
Max. flowrate	17540	m ³ /h	q _{v, max}
Max. stat pressure	1330	Pa	p _{sf, max}
Max. medium temperature	120	°C	T _{m, max}
Max. environment temperature	60	°C	T _{amb, max}
Min. environment temperature	-20	°C	T _{amb, min}



to the product detail page

MPC 630 D4 T40

157241

ruck

MOTOR DATA

Name	Value		Unit	Formula symbol
	50 Hz	60 Hz		
Rated frequency (device)		50		f
Motor type		AC 3~		phase
Control type		frequency-controlled		ctrltype
Installation type		IRM (In)		install
Rotation direction		right		rotation
Isolation class		ISO F		ISOclass
Is pole-changeable		No		polexch
Type of power supply		AC 3~		pwrSUPmotor
Number of poles (1)		4.000000		num polesw1
Connection	Δ	Y		wiringw1
Connection (wiring 2)	Y			wiringw2
Rated voltage	230	460	V	U _{rated, f1}
Rated voltage (wiring 2)	400		V	U _{rated, f2}
Rated current	14.3	7.28	A	I _{rated, f1}
Rated current (wiring 2)	8.2		A	I _{rated, f2}
Shaft power	4000	4000	W	P _{out, f1}
Shaft power (wiring 2)	4000		W	P _{out, f2}
Speed	1450	1755	1/min	n _{f1}
Speed (wiring 2)	1450		1/min	n _{f2}
Starting current	100	58.2	A	I _{start, f1}
Starting current (wiring 2)	57.4		A	I _{start, f2}
Efficiency	89.1	89.5	%	η _{m, f1}
Efficiency (wiring 2)	89.1		%	η _{m, f2}
Efficiency class	IE3	IE3		IE _{motor}
Min. temperature	-20	-20	°C	T _{motor, min}
Cos Phi	0.790000	0.770000		cos φ
UL-Certification motor		UL recognized		ULcert

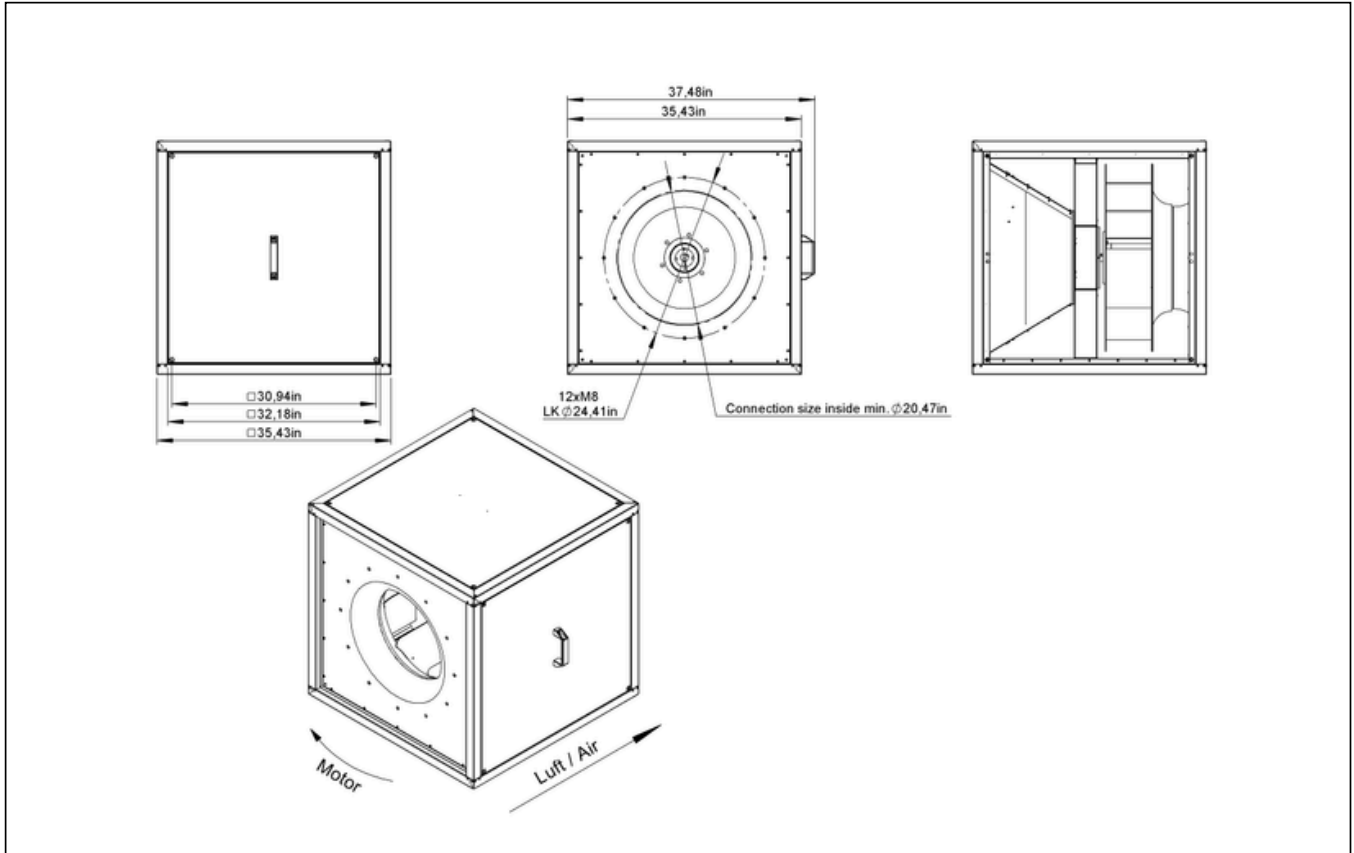


to the product detail page

MPC 630 D4 T40

157241

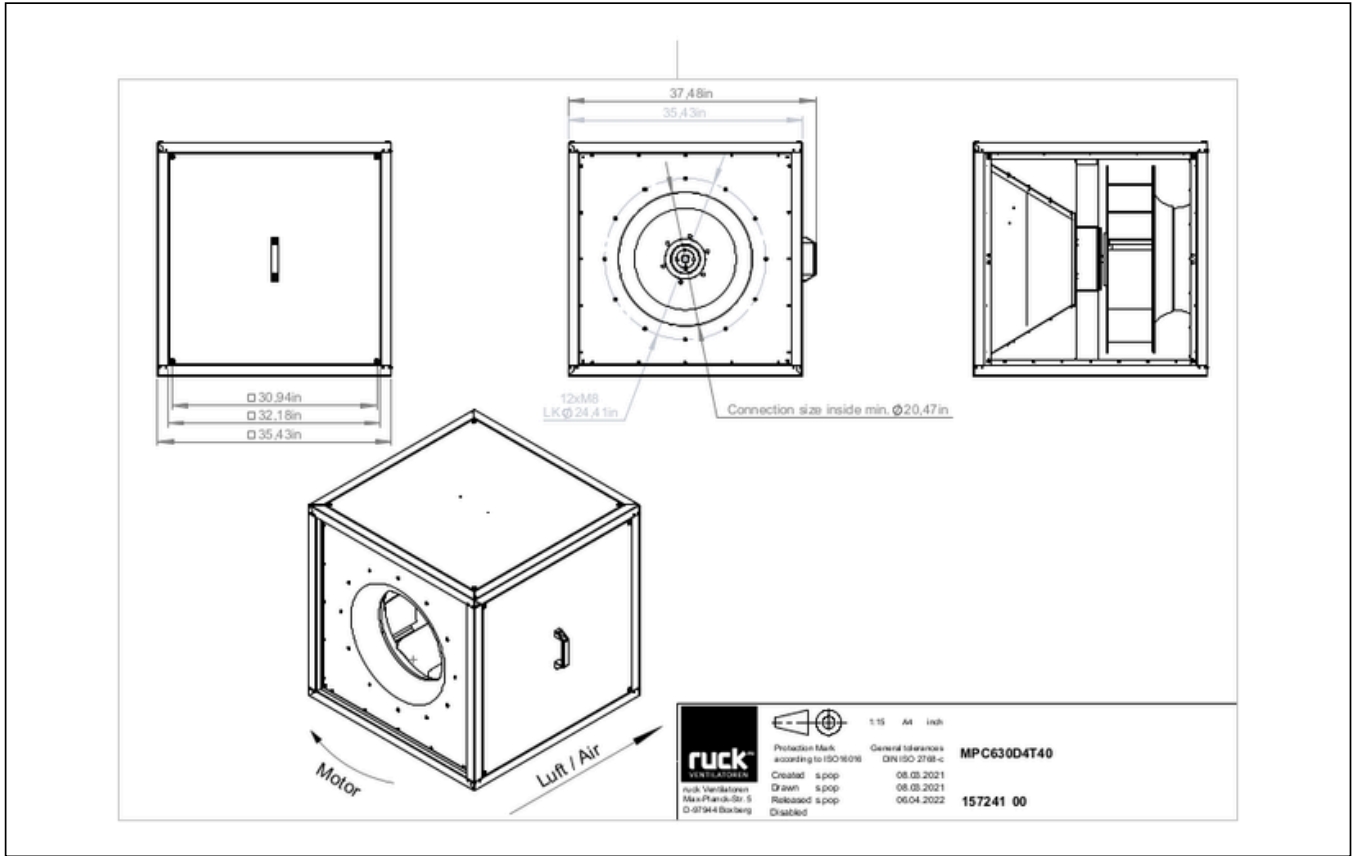
CIRCUIT DIAGRAMS / DIMENSIONAL DRAWINGS



to the product detail page

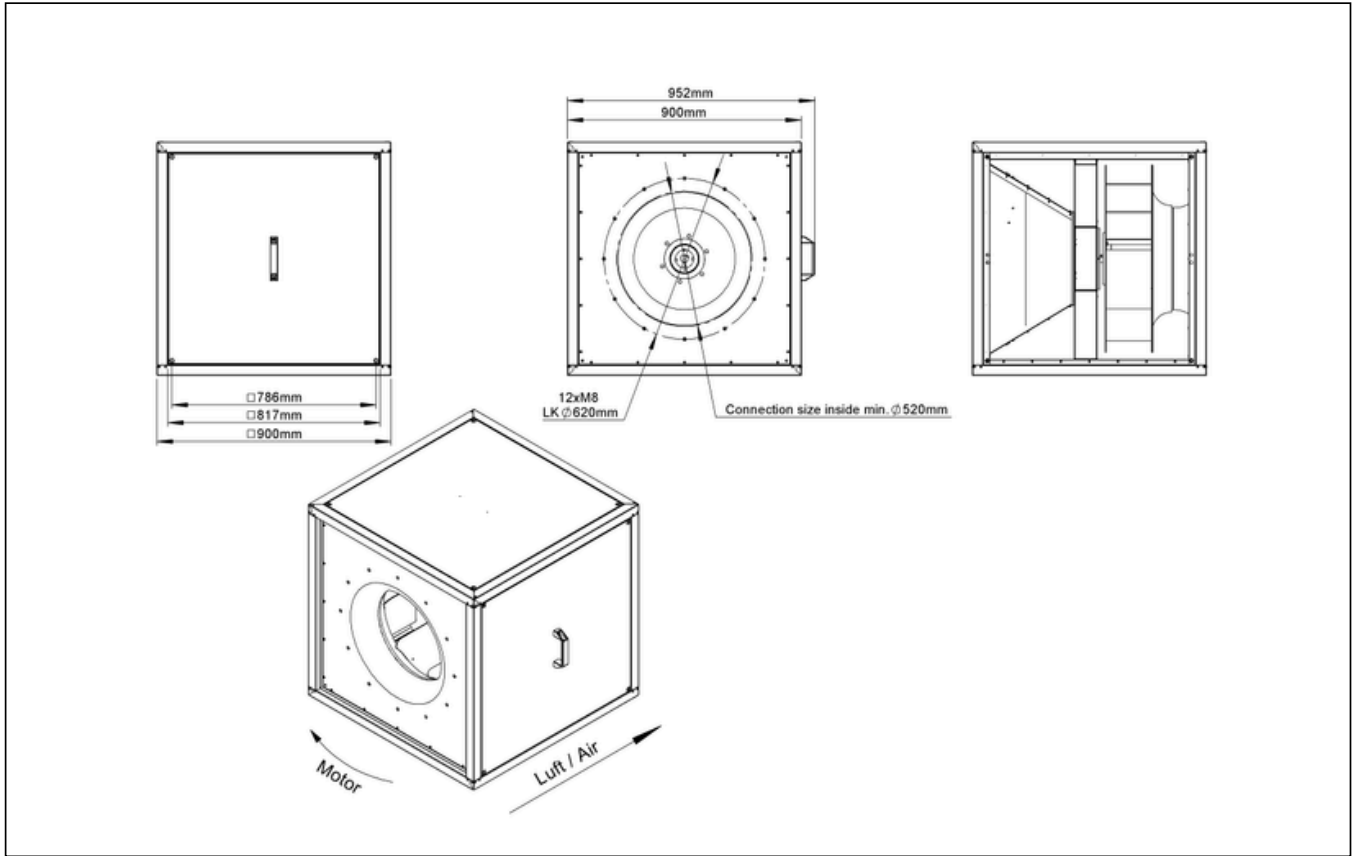
MPC 630 D4 T40

157241



MPC 630 D4 T40

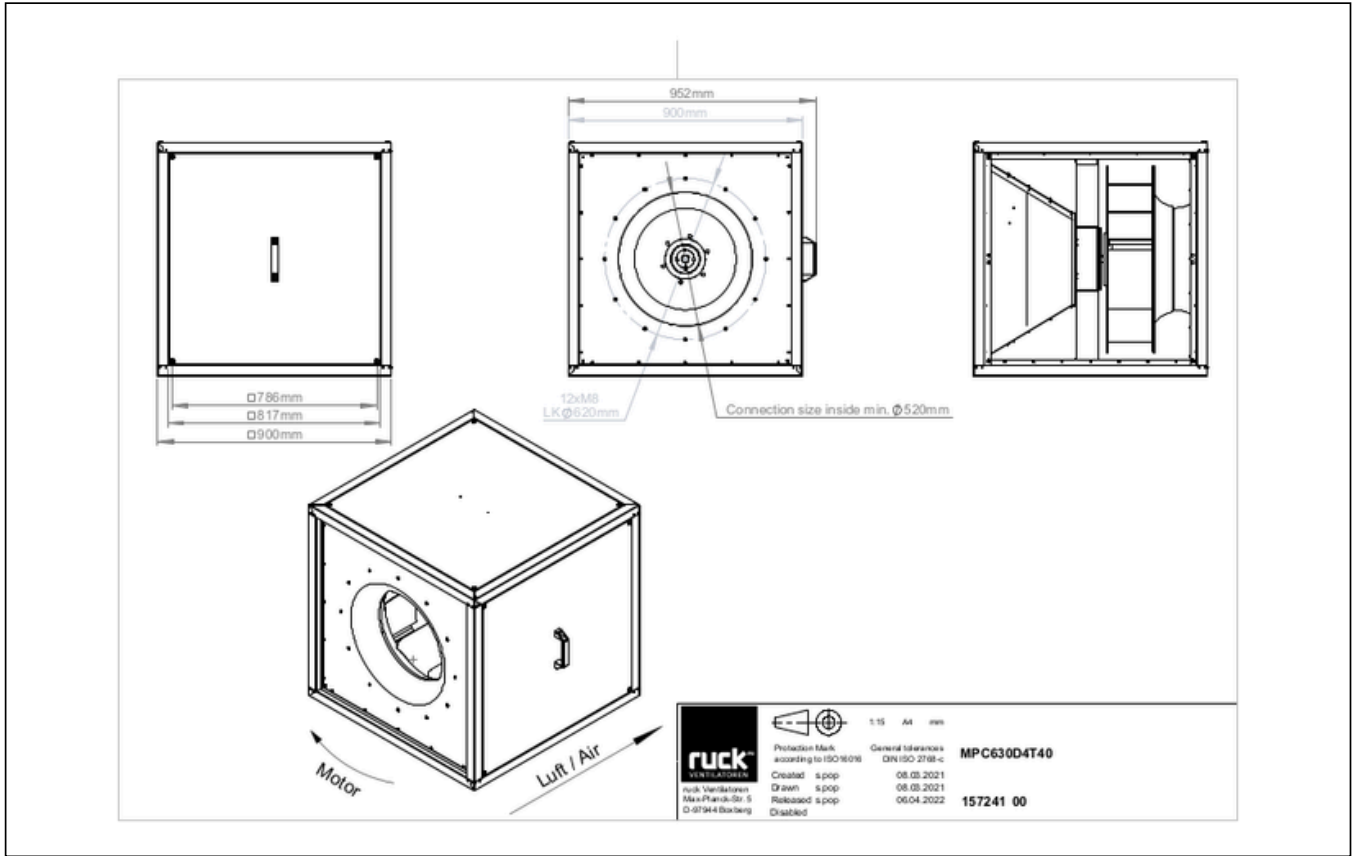
157241



to the product detail page

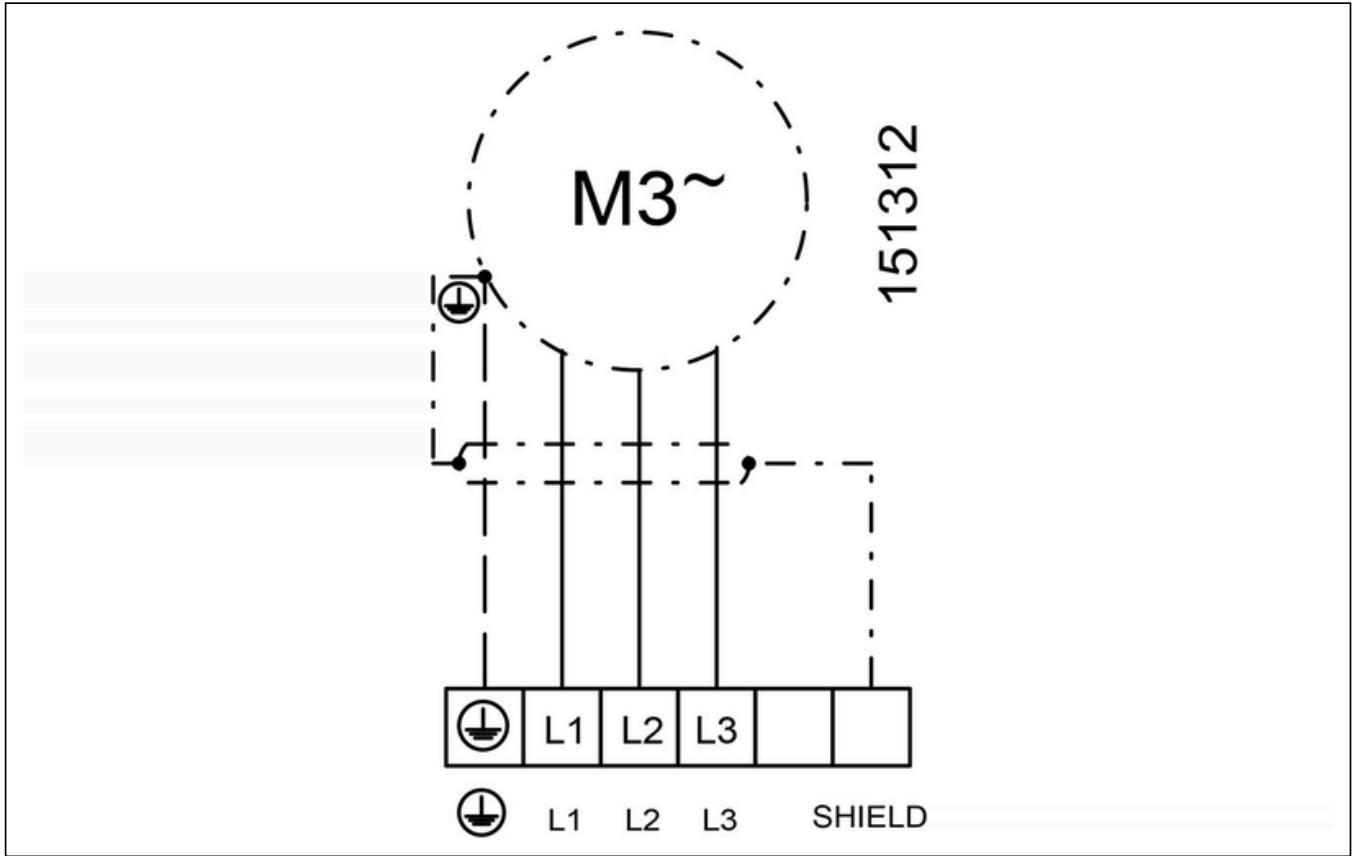
MPC 630 D4 T40

157241



MPC 630 D4 T40

157241



MPC 630 D4 T40

157241

MECHANICAL ACCESSORIES

FB 900 | 160868



- Air filter box for panel filter
- For MPC box 900
- For 1 or 2 filter (not included)
- Housing made of galvanized sheet steel

MB MPC 03 | 122305



- Motor protection shield
- Sendzimir galvanized sheet

GR MPC 03 | 123434



- Base frame für MPC
- Galvanized steel sheet

USM 900 560 | 139997



- Transition spigot
- Galvanized steel sheet
- Insulated

USM 900 630 | 140061



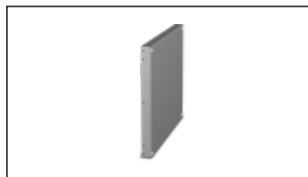
- Transition spigot
- Galvanized steel sheet
- Insulated

USM 900 500 | 140364



- Transition spigot
- Galvanized steel sheet
- Insulated

UCP 900 | 142569



- Closed panel
- Galvanized steel sheet

RVK 560 | 153906



- Automatic tube shutter
- Sheet steel, powder coated
- For vertical installation
- Flange mounting

RVK H 560 | 155628



- Automatic tube shutter
- Sheet steel, powder coated
- For horizontal installation
- Flange mounting

UQR 900 560 01 | 139875



- Transition duct / tube
- Galvanized steel sheet
- Incl. 4 cylinder cap screws (M8 x 16 mm), 4 serrated lock washers for nominal size M8

UQR 900 630 01 | 139887



- Transition duct/tube
- Galvanized steel sheet
- Incl. 4 cylinder cap screws (M8 x 16 mm), 4 serrated lock washers for nominal size M8

VM 500 | 118094



- Fast clamps for sound decoupling and sealing
- Galvanized steel sheet, 5 mm
- Neopren gasket
- 1 Pack = 2 pieces

VM 560 | 119496



- Fast clamps for sound decoupling and sealing
- Galvanized steel sheet, 5 mm
- Neopren gasket
- 1 Pack = 2 pieces

VM 630 | 119497



- Fast clamps for sound decoupling and sealing
- Galvanized steel sheet, 5 mm
- Neopren gasket
- 1 Pack = 2 pieces

AS MPC 500 | 140871



- Inlet spigot
- Galvanized steel sheet

AS MPC 560 | 140876



- Inlet spigot
- Galvanized steel sheet

AS MPC 630 | 140880

RVS 560 | 154195

ESD 560 | 153953

SGW 560 | 154053



to the product detail page

MPC 630 D4 T40

157241



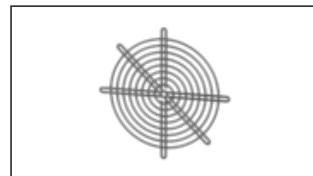
- Inlet spigot
- Galvanized steel sheet



- Tube connection spigot
- Sheet steel, powder coated
- Suitable for outdoor installation
- Flange mounting

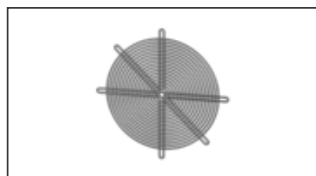


- Inlet cone
- Steel sheet, powder coated
- Flange mounting



- Protection grille, wide meshed
- Steel sheet, galvanized
- Flange mounting

SGE 560 | 154077



- Protection grille, narrow meshed
- Steel sheet, galvanized
- Flange mounting

WSH MPC 03 | 123435



- Weather protection hood
- Galvanized steel sheet

WSG MPC 900 | 140755



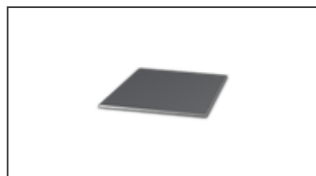
- Weather protection grille
- Galvanized steel sheet

RAF 560 | 154022



- Round flange
- Sheet steel, powder coated

RD MPC 900 | 140101



- Rain cover for outdoor installation
- Galvanized steel sheet

RAS 560 | 154251



- Round spigot, flexible
- Galvanized steel sheet, plastic band (PES)
- Temperature resistant up to 75 °C
- Flange mounting



to the product detail page

MPC 630 D4 T40

157241

ELECTRICAL ACCESSORIES

GS 03 | 107633



- Device switch
- $U_{max} = 400\text{ V}$, $I_{max} = 25\text{ A}$
- Switching capacity $400\text{ V } 3\sim = 5,5\text{ kW}$
- Protection class IP 55

MS 04 | 140413



- Motor protection switch with Isolator switchfunktion
- $I_{max} = 400\text{ V}$, 50/60 Hz
- Max. 4 kW
- Protection class IP 55

MTP 20 | 128146



- Potentiometer 10 k Ω
- Switching contact 1A/250V AC - 2,5A/12V DC
- Max. ambient temperature 50 °C
- VDE

MTP 30 | 143289



- Stepped potentiometer 10 k Ω
- Step 1 + 2 settable 10 % - 100 % Vdc
- Step 3 100 % Vdc
- Supply voltage +10 Vdc

MTP 40 | 147359



- Potentiometer 10 k Ω
- Connection in terminal box
- Max. ambient temperature 50 °C
- PU: 20 pieces

CON P1000 | 115259



- Constant pressure control
- Actual value display possible via optional control unit
- Output 0-10 V DC + FC enable + setpoint reached
- Pressure setting by means of decade switch

FU 55 06 | 141879



- Frequency converter
- Supply voltage 400 V 3~ 50/60 Hz
- Output voltage 0 - 400 V 3~
- Fire mode function (smoke extract fans)

FU 55 05 | 141868



- Frequency converter
- Supply voltage 400 V 3~ 50/60 Hz
- Output voltage 0 - 400 V 3~
- Protection class IP 20, for switch cabinet

MTP 50 | 153133



- Potentiometer with multifunction output
- 230 VAC $\pm 10\%$ / 50-60 Hz
- Selectable output: 1-10 VDC / 2-20 mA / 10-100 % PWM
- Min. and max. output value adjustable



to the product detail page