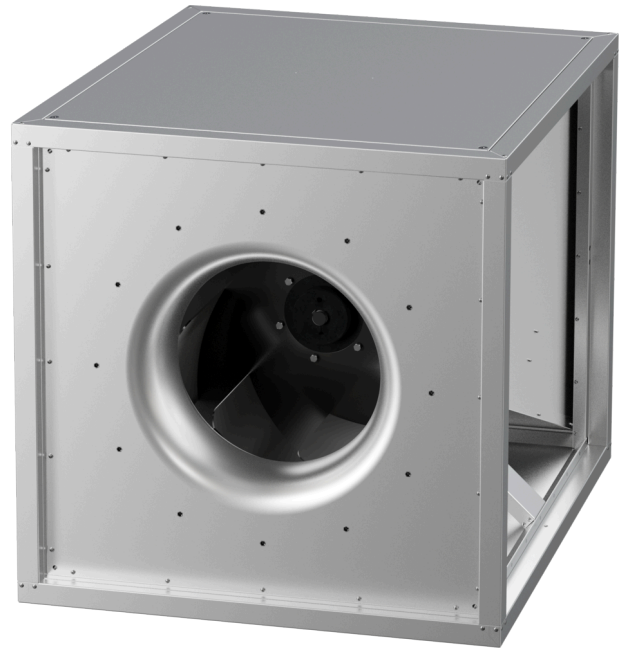


MPC 560 D4 T40

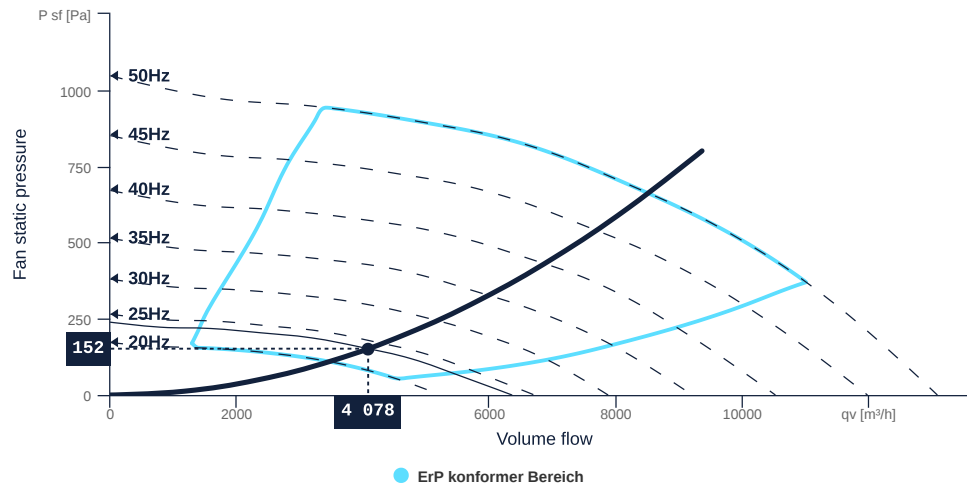
157235

- Backward curved centrifugal impeller
- Removable side walls, variable discharge direction
- Sheet steel housing double-walled, 30 mm mineral wool
- IE3 motor outside the airflow, controllable
- Conveyed medium temperature up to 120 °C in continuous operation
- Housing bottom designed with integrated drain



FAN CURVES

Name	Value	Unit
Volume flow	4078	m³/h
Pressure	152	Pa



to the product detail page

MPC 560 D4 T40

157235

TECHNICAL SPECIFICATIONS

Name	Value	Unit	Formula symbol
Volume flow	4078	m ³ /h	qv _{calc}
Pressure	152	Pa	ps _{calc}
Fan pressure	154	Pa	pf
Fan static pressure	152	Pa	psf
Current consumption Motor	2	A	le
Current consumption Electric	0	A	led
Electrical power consumption	346	W	P _{ek}
Electrical power consumption	403	W	P _{edk}
Frequency	23	Hz	frq
Rotation speed	682	1/min	N
Total static efficiency	49	%	etaFaPeK
Total speed controlled static efficiency	42	%	etaFaPedK
Total efficiency	50	%	etatPeK
Total speed controlled efficiency	43	%	etatPedK
SFP (entire device)	305	W/(m ³ /s)	sfp _{device}
Sound power level inlet	66	dB(A)	LwA5
Sound power level outlet	69	dB(A)	LwA6
Sound power level housing radiation	58	dB(A)	LwA2

SOUND DATA

Sound power	mid-frequency tape										Unit	Formula symbol
	Σ	63	125	250	500	1000	2000	4000	8000	16000		
suction	67	46	56	58	59	61	59	54	55	37	dB(A)	LwA5
blowout	69	52	58	59	65	64	59	55	52	35	dB(A)	LwA6
Casing break out	58	42	53	50	53	46	44	42	49	36	dB(A)	LwA2

SOUND PRESSURE LEVEL CALCULATOR

Name	Value	Unit
Enveloping surface	Halphsphere	
Distance	3	m

Sound pressure	NR	mid-frequency tape										Unit	Formula symbol
		Σ	63	125	250	500	1000	2000	4000	8000	16000		
suction	45	49	28	39	40	42	44	41	37	38	20	dB(A)	LwA5
blowout	46	52	34	41	41	47	47	42	37	35	17	dB(A)	LwA6
Casing break out	39	41	25	35	32	36	29	26	24	32	18	dB(A)	LwA2



to the product detail page

MPC 560 D4 T40

157235

GENERAL DATA

Name	Value	Unit	Formula symbol
Labeling	CE, UKCA		
Duct size	-		WxH _{duct}
Pipe connection size (DN)	DN630		DN
Rated voltage (entire device)	400	V	U _{rated}
Phases (entire device)	3~		phase
Electrical protection (entire device)	6 A		fuse
Housing material	Galvanized steel		mat _{casing}
Impeller material	Coated steel		mat _{impeller}
Weight	127	kg	m
Nominal air flow rate, nominal point m ³ /h	7434	m ³ /h	q _{v,nom}
Nominal external pressure, static	725.2	Pa	p _{s,nom}
Fan type	Radial		Fan _{type}
Category / Installation situation	A		cat

ERP DATA (LOT 6)

Name	Value	Unit	Formula symbol
Nominal air flow rate, nominal point m ³ /s	2.07	m ³ /s	q _{v,nom}
Actual electrical input power, nominal point	2.52	kW	P _{e,nom}
Face velocity, nominal point	3.5	m/s	v _{nom}
Nominal external pressure, static	725.2	Pa	p _{s,nom}
supply air fan static efficiency, nominal point	63.4	%	η _{es,SUP}
Highest external air leakage rate	0.03	%	
Enclosure sound level, nominal point	79	dB(A)	L _{WA2}
Rating	Product is compliant 2018		

MAXIMAL DATA

Name	Value	Unit	Formula symbol
Max. power consumption (device)	2661	W	P _{ed, max}
Max. operating current (device)	5	A	I _{ed, max}
Max. speed	1470	1/min	n _{max}
Max. stat. efficiency	55.9	%	η _{es}
Max. fan efficiency	56.6	%	η _e
Max. flowrate	13060	m ³ /h	q _{v, max}
Max. stat pressure	1040	Pa	p _{sf, max}
Max. medium temperature	120	°C	T _{m, max}
Max. environment temperature	60	°C	T _{amb, max}
Min. environment temperature	-20	°C	T _{amb, min}



to the product detail page

MPC 560 D4 T40

157235

MOTOR DATA

Name	Value		Unit	Formula symbol
	50 Hz	60 Hz		
Rated frequency (device)		50		f
Motor type		AC 3~		phase
Control type		frequency-controlled		ctrltype
Installation type		IRM (In)		install
Rotation direction		right		rotation
Isolation class		ISO F		ISOclass
Is pole-changeable		No		polexch
Type of power supply		AC 3~		pwrSUPmotor
Number of poles (1)		4.000000		num polesw1
Connection	Δ	Y		wiringw1
Connection (wiring 2)	Y			wiringw2
Rated voltage	230	460	V	U _{rated, f1}
Rated voltage (wiring 2)	400		V	U _{rated, f2}
Rated current	8.03	4.01	A	I _{rated, f1}
Rated current (wiring 2)	4.62		A	I _{rated, f2}
Shaft power	2200	2200	W	P _{out, f1}
Shaft power (wiring 2)	2200		W	P _{out, f2}
Speed	1435	1745	1/min	n _{f1}
Speed (wiring 2)	1435		1/min	n _{f2}
Starting current	64.3	38.1	A	I _{start, f1}
Starting current (wiring 2)	37		A	I _{start, f2}
Efficiency	87	89.5	%	η _{m, f1}
Efficiency (wiring 2)	87		%	η _{m, f2}
Efficiency class	IE3	IE3		IE _{motor}
Min. temperature	-20	-20	°C	T _{motor, min}
Cos Phi	0.790000	0.770000		cos φ
UL-Certification motor		UL recognized		ULcert

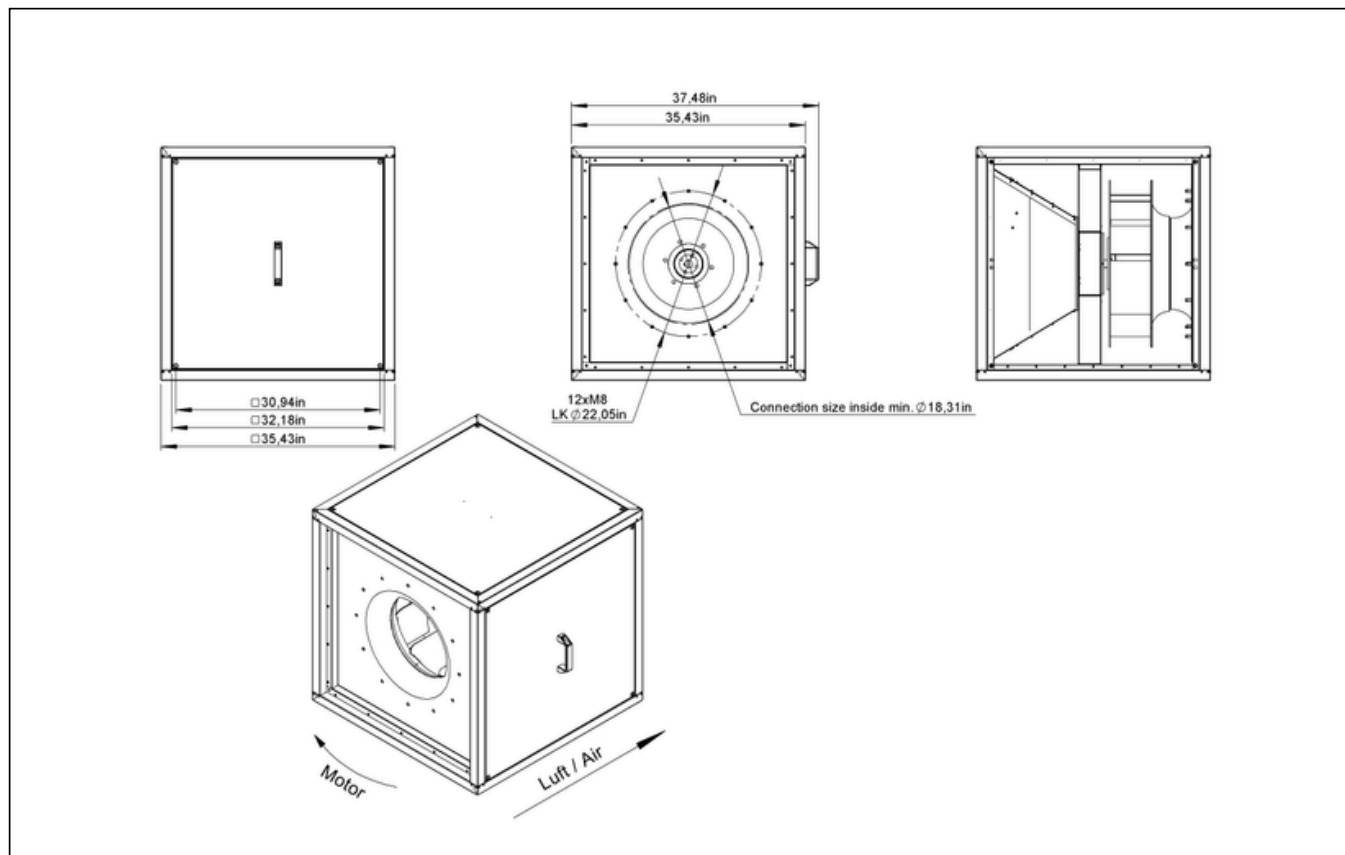


to the product detail page

MPC 560 D4 T40

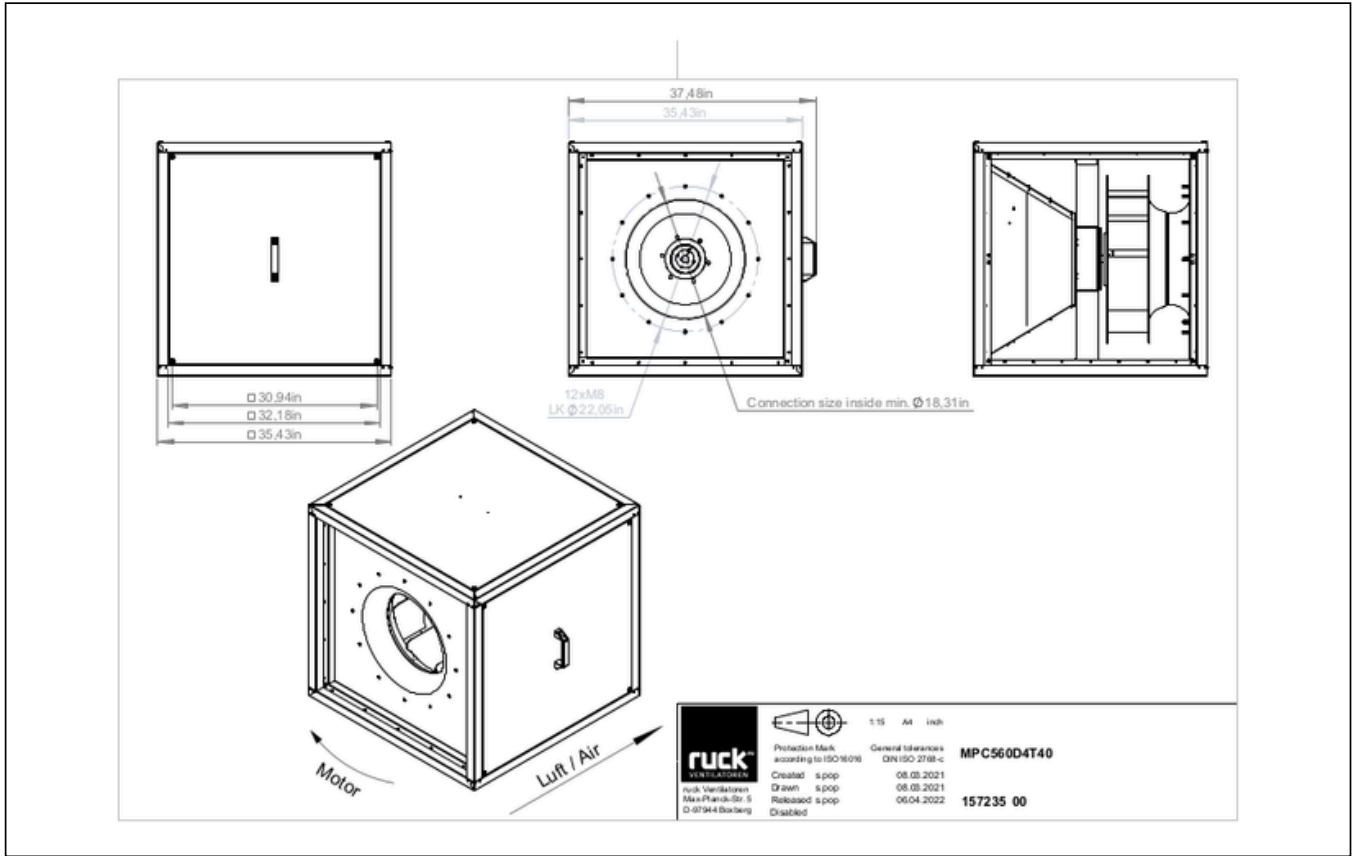
157235

CIRCUIT DIAGRAMS / DIMENSIONAL DRAWINGS



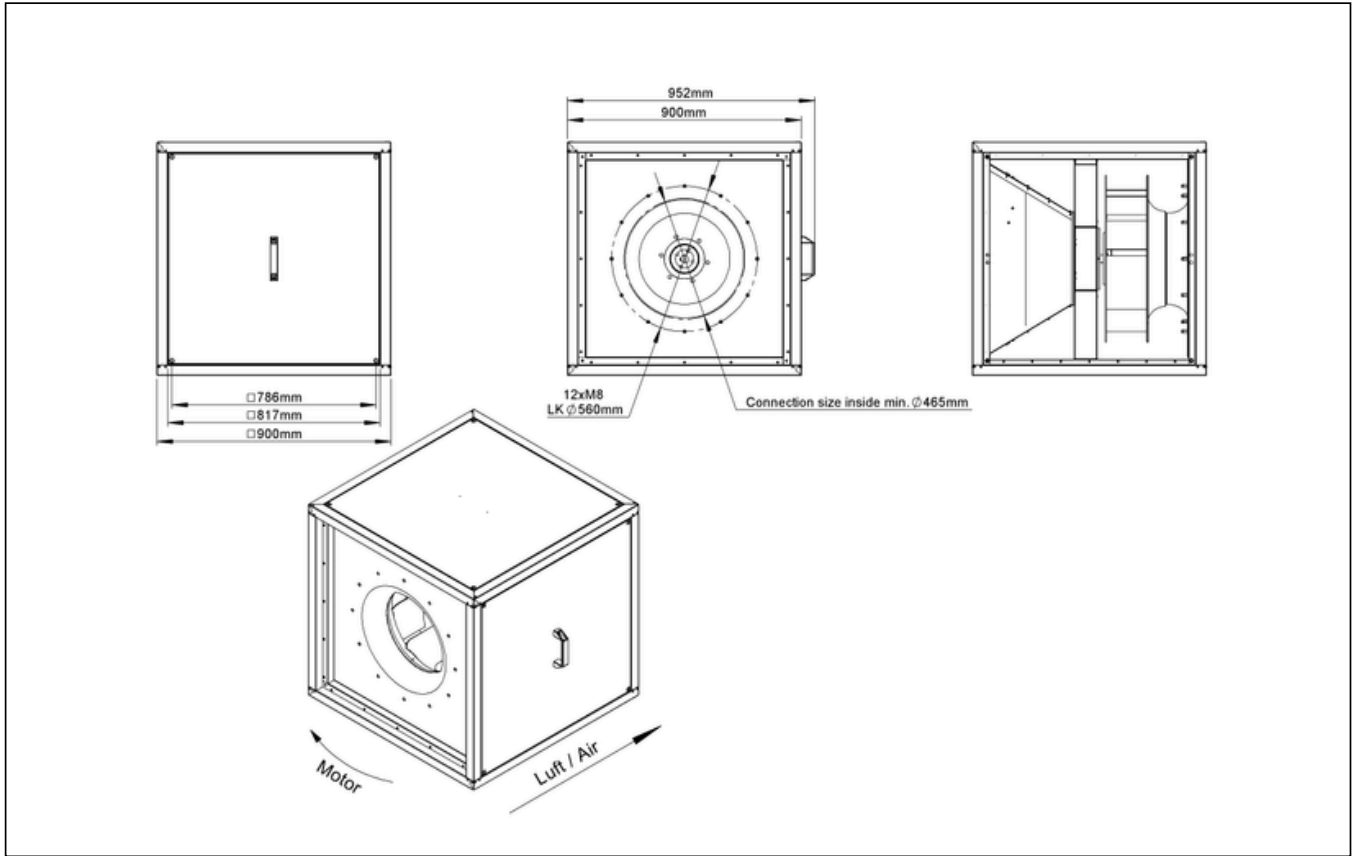
MPC 560 D4 T40

157235



MPC 560 D4 T40

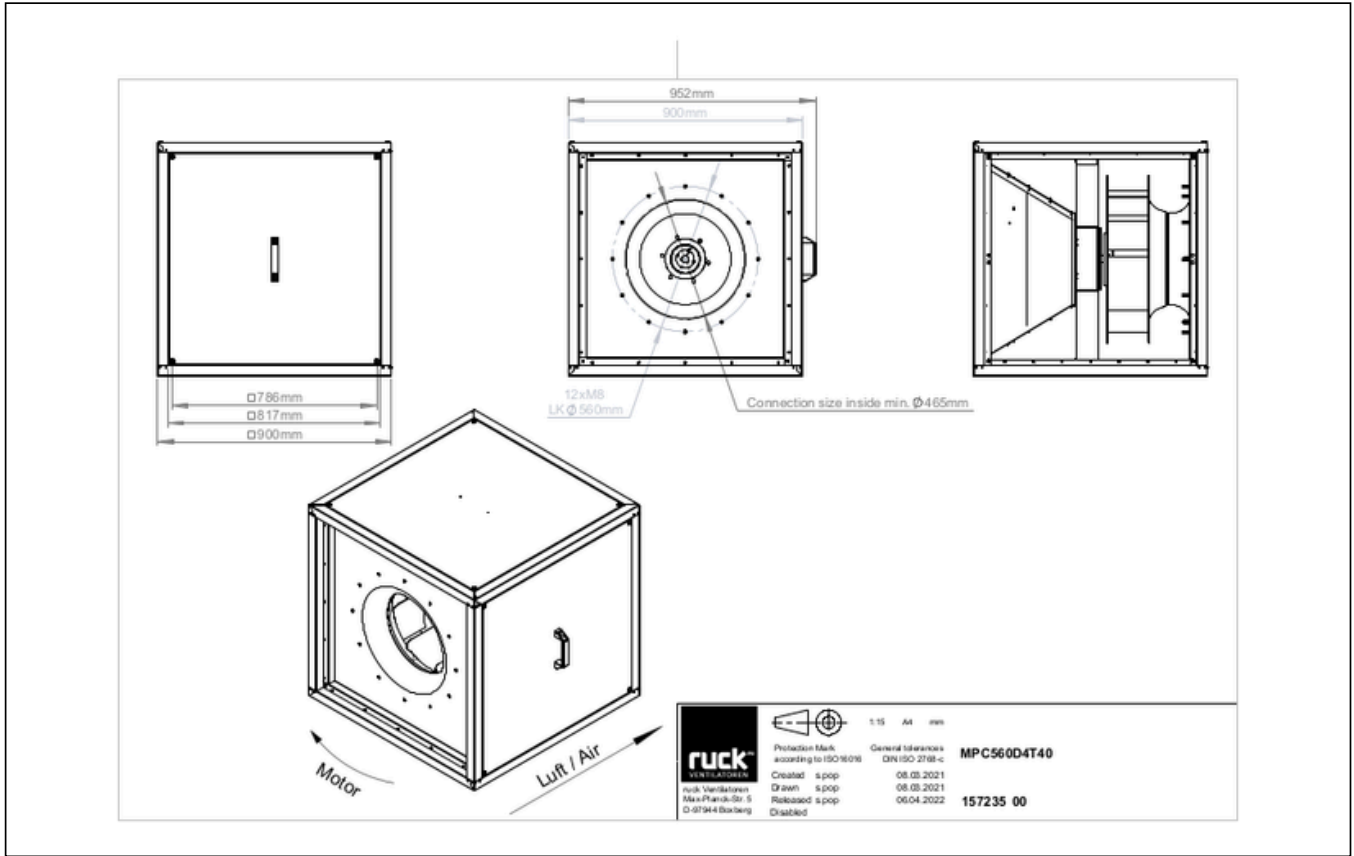
157235



to the product detail page

MPC 560 D4 T40

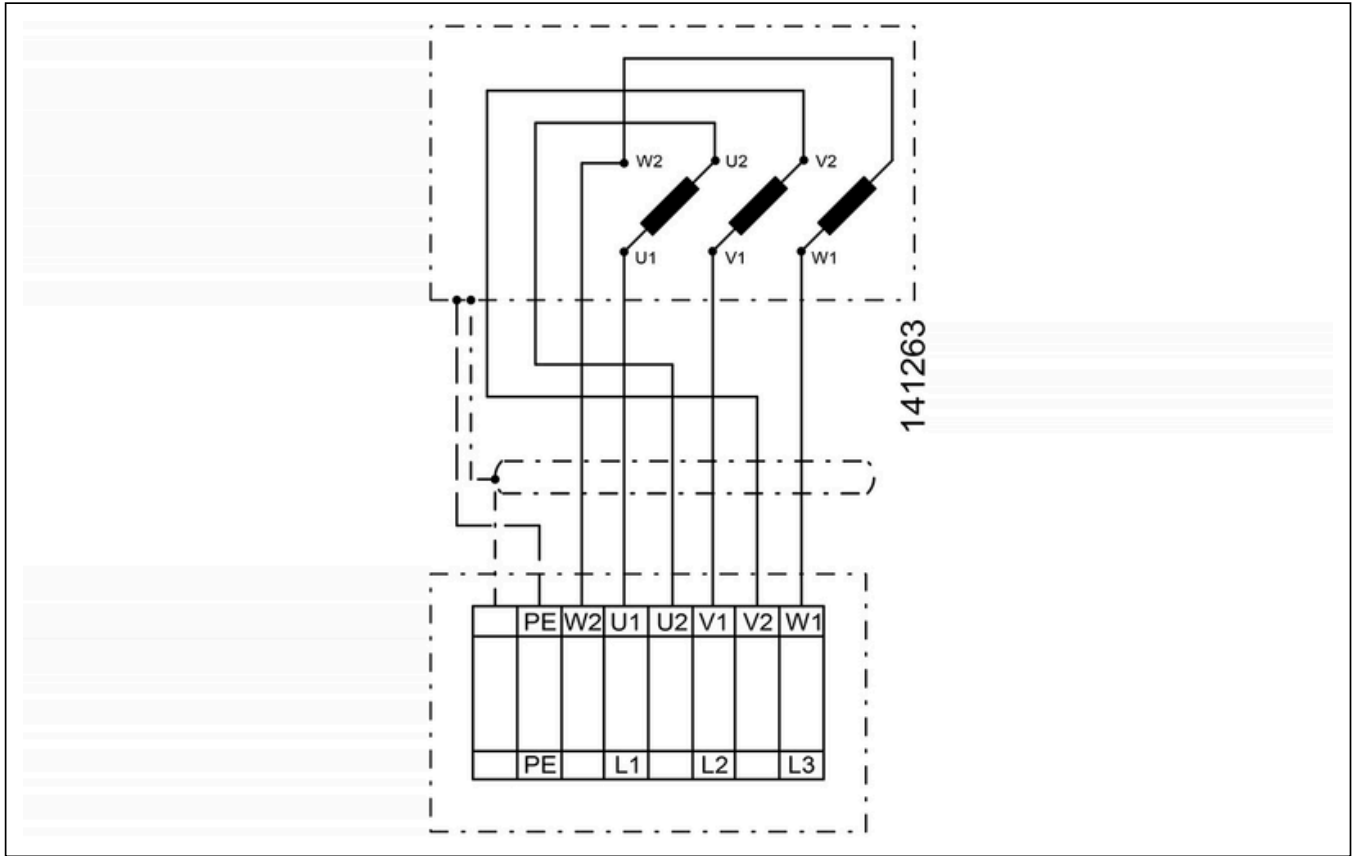
157235



to the product detail page

MPC 560 D4 T40

157235



to the product detail page

MPC 560 D4 T40

157235

MECHANICAL ACCESSORIES

FB 900 | 160868



- Air filter box for panel filter
- For MPC box 900
- For 1 or 2 filter (not included)
- Housing made of galvanized sheet steel

MB MPC 03 | 122305



- Motor protection shield
- Sendzimir galvanized sheet

GR MPC 03 | 123434



- Base frame für MPC
- Galvanized steel sheet

USM 900 560 | 139997



- Transition spigot
- Galvanized steel sheet
- Insulated

USM 900 630 | 140061



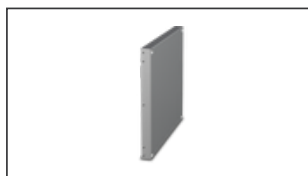
- Transition spigot
- Galvanized steel sheet
- Insulated

USM 900 500 | 140364



- Transition spigot
- Galvanized steel sheet
- Insulated

UCP 900 | 142569



- Closed panel
- Galvanized steel sheet

RVK 500 | 153900



- Automatic tube shutter
- Sheet steel, powder coated
- For vertical installation
- Flange mounting

RVK H 500 | 154688



- Automatic tube shutter
- Sheet steel, powder coated
- For horizontal installation
- Flange mounting

UQR 900 560 01 | 139875



- Transition duct / tube
- Galvanized steel sheet
- Incl. 4 cylinder cap screws (M8 x 16 mm), 4 serrated lock washers for nominal size M8

UQR 900 630 01 | 139887



- Transition duct/tube
- Galvanized steel sheet
- Incl. 4 cylinder cap screws (M8 x 16 mm), 4 serrated lock washers for nominal size M8

VM 500 | 118094



- Fast clamps for sound decoupling and sealing
- Galvanized steel sheet, 5 mm
- Neopren gasket
- 1 Pack = 2 pieces

VM 560 | 119496



- Fast clamps for sound decoupling and sealing
- Galvanized steel sheet, 5 mm
- Neopren gasket
- 1 Pack = 2 pieces

VM 630 | 119497



- Fast clamps for sound decoupling and sealing
- Galvanized steel sheet, 5 mm
- Neopren gasket
- 1 Pack = 2 pieces

AS MPC 500 | 140871



- Inlet spigot
- Galvanized steel sheet

AS MPC 560 | 140876



- Inlet spigot
- Galvanized steel sheet

AS MPC 630 | 140880

RAF 500 | 154021

RVS 500 | 154193

ESD 500 | 153956



to the product detail page

MPC 560 D4 T40

157235



- Inlet spigot
- Galvanized steel sheet



- Round flange
- Sheet steel, powder coated



- Tube connection spigot
- Sheet steel, powder coated
- Suitable for outdoor installation
- Flange mounting



- Inlet cone
- Steel sheet, powder coated
- Flange mounting

WSH MPC 03 | 123435



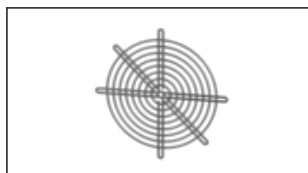
- Weather protection hood
- Galvanized steel sheet

WSG MPC 900 | 140755



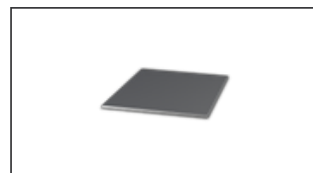
- Weather protection grille
- Galvanized steel sheet

SGW 500 | 154052



- Protection grille, wide meshed
- Steel sheet, galvanized
- Flange mounting

RD MPC 900 | 140101



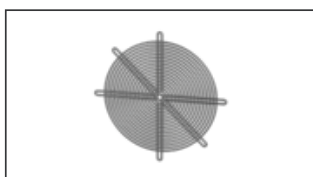
- Rain cover for outdoor installation
- Galvanized steel sheet

RAS 500 | 154250



- Round spigot, flexible
- Galvanized steel sheet, plastic band (PES)
- Temperature resistant up to 75 °C
- Flange mounting

SGE 500 | 154076



- Protection grille, narrow meshed
- Steel sheet, galvanized
- Flange mounting



to the product detail page

ELECTRICAL ACCESSORIES

GS 03 | 107633



- Device switch
- $U_{max} = 400\text{ V}$, $I_{max} = 25\text{ A}$
- Switching capacity $400\text{ V } 3\sim = 5,5\text{ kW}$
- Protection class IP 55

MS 03 | 140411



- Motor protection switch with Isolator switchfunktion
- $I_{max} = 400\text{ V}$, 50/60 Hz
- Max. 2.2 kW
- Protection class IP 55

MTP 20 | 128146



- Potentiometer 10 kΩ
- Switching contact 1A/250V AC - 2,5A/12V DC
- Max. ambient temperature 50 °C
- VDE

MTP 30 | 143289



- Stepped potentiometer 10 kΩ
- Step 1 + 2 settable 10 % - 100 % Vdc
- Step 3 100 % Vdc
- Supply voltage+10 Vdc

MTP 40 | 147359



- Potentiometer 10 kΩ
- Connection in terminal box
- Max. ambient temperature 50 °C
- PU: 20 pieces

SEN AIR | 148641



- Airflow and temperature transducer
- Measuring range temperature 0...+50 °C
- With adjustable switching threshold (air speed)
- Measuring range air velocity up to 20 m/s

CON P1000 | 115259



- Constant pressure control
- Actual value display possible via optional control unit
- Output 0-10 V DC + FC enable + setpoint reached
- Pressure setting by means of decade switch

FU 22 10 | 141845



- Frequency converter
- Supply voltage 230 V 1~ 50/60 Hz
- Output voltage 0 - 230 V 3~
- Protection class IP 20, for switch cabinet

FU 22 14 | 141867



- Frequency converter
- Supply voltage 400 V 3~ 50/60 Hz
- Output voltage 0 - 400 V 3~
- Protection class IP 20, for switch cabinet

FU 22 12 | 141856



- Frequency converter IP66
- Supply voltage 230 V 1~ 50/60 Hz
- Output voltage 0 - 230 V 3~
- Fire mode function (smoke extract fans)

FU 22 16 | 141878



- Frequency converter
- Supply voltage 400 V 3~ 50/60 Hz
- Output voltage 0 - 400 V 3~
- Fire mode function (smoke extract fans)

MTP 50 | 153133



- Potentiometer with multifunction output
- 230 VAC $\pm 10\%$ / 50-60 Hz
- Selectable output: 1-10 VDC / 2-20 mA / 10-100 % PWM
- Min. and max. output value adjustable

