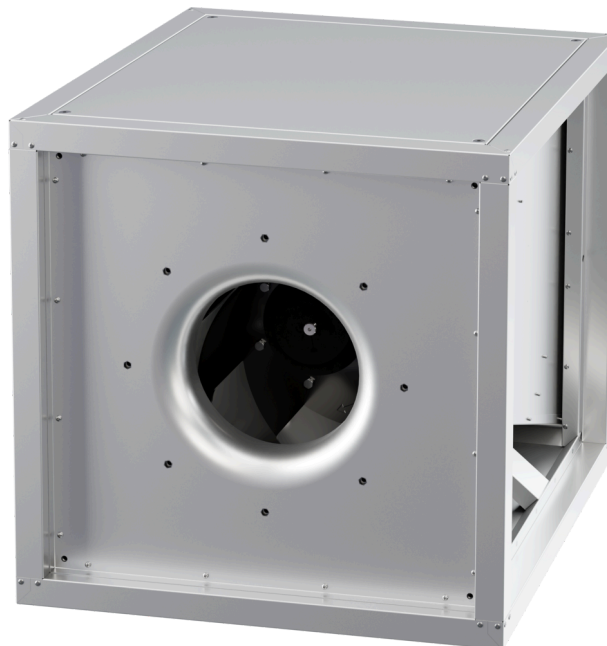


MPC 450 D4 T40

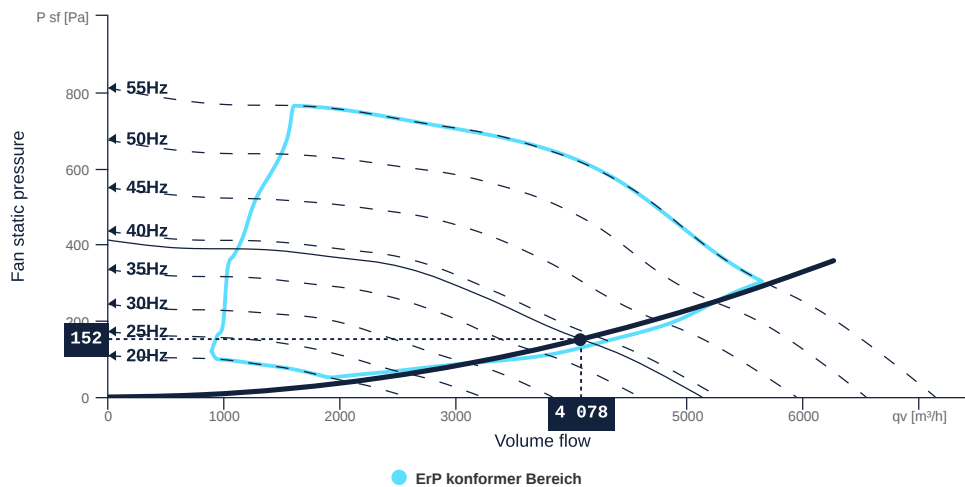
157232

- Backward curved centrifugal impeller
- Removable side walls, variable discharge direction
- Sheet steel housing double-walled, 30 mm mineral wool
- IE3 motor outside the airflow, controllable
- Conveyed medium temperature up to 120 °C in continuous operation
- Housing bottom designed with integrated drain



FAN CURVES

Name	Value	Unit
Volume flow	4078	m³/h
Pressure	152	Pa



to the product detail page

MPC 450 D4 T40

157232

TECHNICAL SPECIFICATIONS

Name	Value	Unit	Formula symbol
Volume flow	4078	m³/h	qv _{calc}
Pressure	152	Pa	ps _{fcalc}
Fan pressure	158	Pa	pf
Fan static pressure	152	Pa	psf
Current consumption Motor	1	A	le
Current consumption Electric	0	A	led
Electrical power consumption	441	W	Pek
Electrical power consumption	493	W	Pedk
Frequency	38	Hz	frq
Rotation speed	1144	1/min	N
Total static efficiency	39	%	etaFaPeK
Total speed controlled static efficiency	34	%	etaFaPedK
Total efficiency	40	%	etatPeK
Total speed controlled efficiency	36	%	etatPedK
SFP (entire device)	389	W/(m³/s)	sfp _{device}
Sound power level inlet	77	dB(A)	LwA5
Sound power level outlet	78	dB(A)	LwA6
Sound power level housing radiation	71	dB(A)	LwA2

SOUND DATA

Sound power	mid-frequency tape										Unit	Formula symbol
	Σ	63	125	250	500	1000	2000	4000	8000	16000		
suction	77	47	69	68	73	69	66	64	65	45	dB(A)	LwA5
blowout	79	49	68	69	75	73	68	63	61	42	dB(A)	LwA6
Casing break out	72	52	68	59	68	59	57	50	46	46	dB(A)	LwA2

SOUND PRESSURE LEVEL CALCULATOR

Name	Value	Unit
Enveloping surface	Halphsphere	
Distance	3	m

Sound pressure	NR	mid-frequency tape										Unit	Formula symbol
		Σ	63	125	250	500	1000	2000	4000	8000	16000		
suction	55	60	30	52	51	55	51	49	46	47	28	dB(A)	LwA5
blowout	57	61	31	50	51	58	56	51	45	44	25	dB(A)	LwA6
Casing break out	50	54	34	50	42	51	42	39	32	28	29	dB(A)	LwA2



to the product detail page

MPC 450 D4 T40

157232

GENERAL DATA

Name	Value	Unit	Formula symbol
Labeling	CE, UKCA		
Duct size	-		WxH _{duct}
Pipe connection size (DN)	DN500		DN
Rated voltage (entire device)	400	V	U _{rated}
Phases (entire device)	3~		phase
Electrical protection (entire device)	6 A		fuse
Housing material	Galvanized steel		mat _{casing}
Impeller material	Coated steel		mat _{impeller}
Weight	75	kg	m
Nominal air flow rate, nominal point m ³ /h	4114.8	m ³ /h	q _{v,nom}
Nominal external pressure, static	607	Pa	p _{s,nom}
Fan type	Radial		Fan _{type}
Category / Installation situation	A		cat

ERP DATA (LOT 6)

Name	Value	Unit	Formula symbol
Nominal air flow rate, nominal point m ³ /s	1.14	m ³ /s	q _{v,nom}
Actual electrical input power, nominal point	1.22	kW	P _{e,nom}
Face velocity, nominal point	3.5	m/s	v _{nom}
Nominal external pressure, static	607	Pa	p _{s,nom}
supply air fan static efficiency, nominal point	63.5	%	η _{es,SUP}
Highest external air leakage rate	0.07	%	
Enclosure sound level, nominal point	77	dB(A)	L _{WA2}
Rating	Product is compliant 2018		

MAXIMAL DATA

Name	Value	Unit	Formula symbol
Max. power consumption (device)	1226	W	P _{ed, max}
Max. operating current (device)	2.5	A	I _{ed, max}
Max. speed	1630	1/min	n _{max}
Max. stat. efficiency	53.1	%	η _{es}
Max. fan efficiency	53.7	%	η _e
Max. flowrate	7125	m ³ /h	q _{v, max}
Max. stat pressure	810	Pa	p _{sf, max}
Max. medium temperature	120	°C	T _{m, max}
Max. environment temperature	60	°C	T _{amb, max}
Min. environment temperature	-20	°C	T _{amb, min}



to the product detail page

MPC 450 D4 T40

157232

MOTOR DATA

Name	Value		Unit	Formula symbol
	50 Hz	60 Hz		
Rated frequency (device)		50		f
Motor type		AC 3~		phase
Control type		frequency-controlled		ctrltype
Installation type		IRM (In)		install
Rotation direction		right		rotation
Isolation class		ISO F		ISOclass
Protection class		IP55		IPmotor
Is pole-changeable		No		polexch
Type of power supply		AC 3~		pwrsupmotor
Number of poles (1)		4.000000		num polesw1
Connection	Δ	Y		wiringw1
Connection (wiring 2)	Y			wiringw2
Rated voltage	230	460	V	U _{rated, f1}
Rated voltage (wiring 2)	400		V	U _{rated, f2}
Rated current	4.17	2.1	A	I _{rated, f1}
Rated current (wiring 2)	2.4		A	I _{rated, f2}
Shaft power	1100	1100	W	P _{out, f1}
Shaft power (wiring 2)	1100		W	P _{out, f2}
Speed	1455	1760	1/min	n _{f1}
Speed (wiring 2)	1455		1/min	n _{f2}
Starting current	31.7	17.9	A	I _{start, f1}
Starting current (wiring 2)	18.2		A	I _{start, f2}
Efficiency	84.8	86.5	%	$\eta_m, f1$
Efficiency (wiring 2)	84.8		%	$\eta_m, f2$
Efficiency class	IE3	IE3		IE _{motor}
Min. temperature	-20		°C	T _{motor, min}
Cos Phi	0.780000	0.760000		cos φ
UL-Certification motor		UL recognized		ULcert

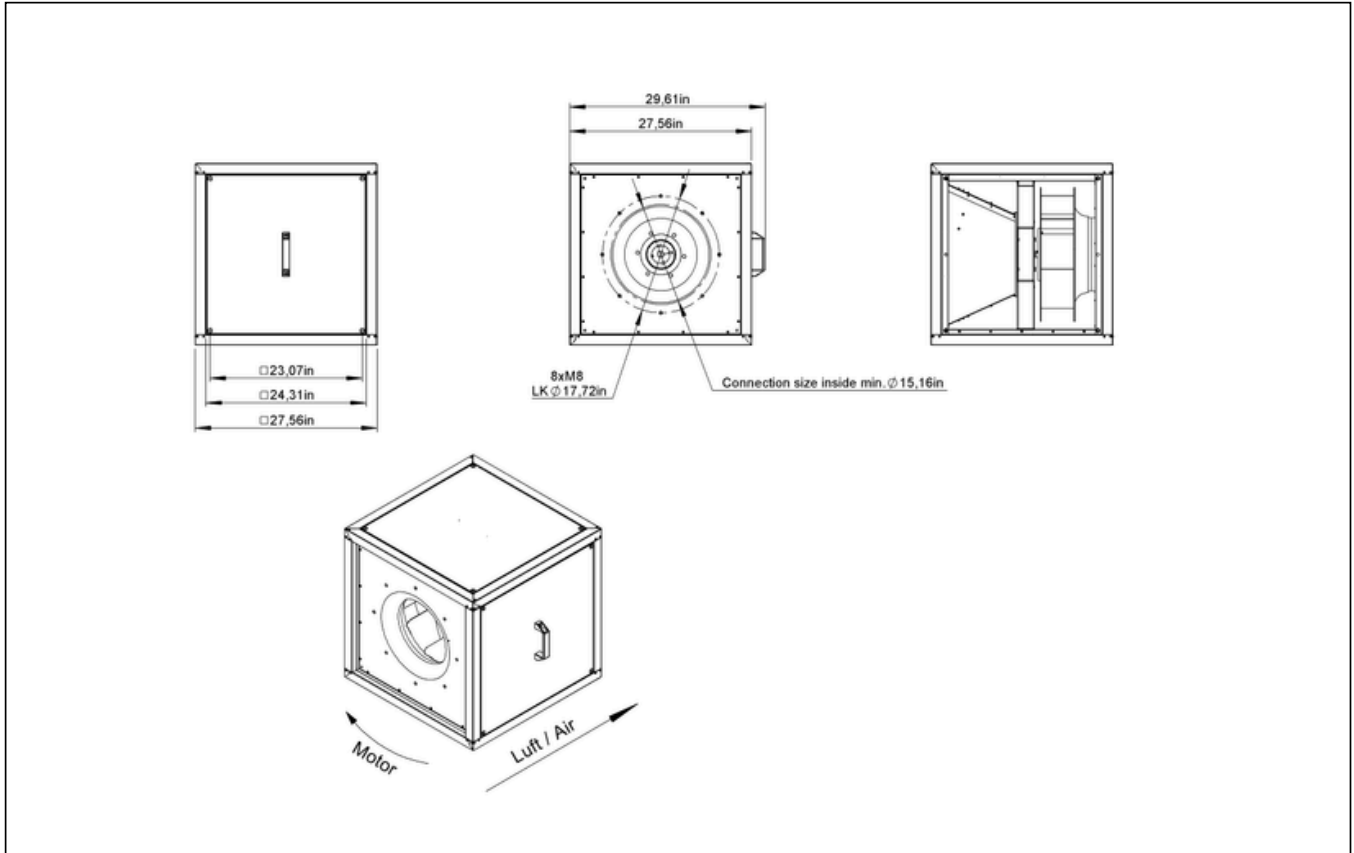


to the product detail page

MPC 450 D4 T40

157232

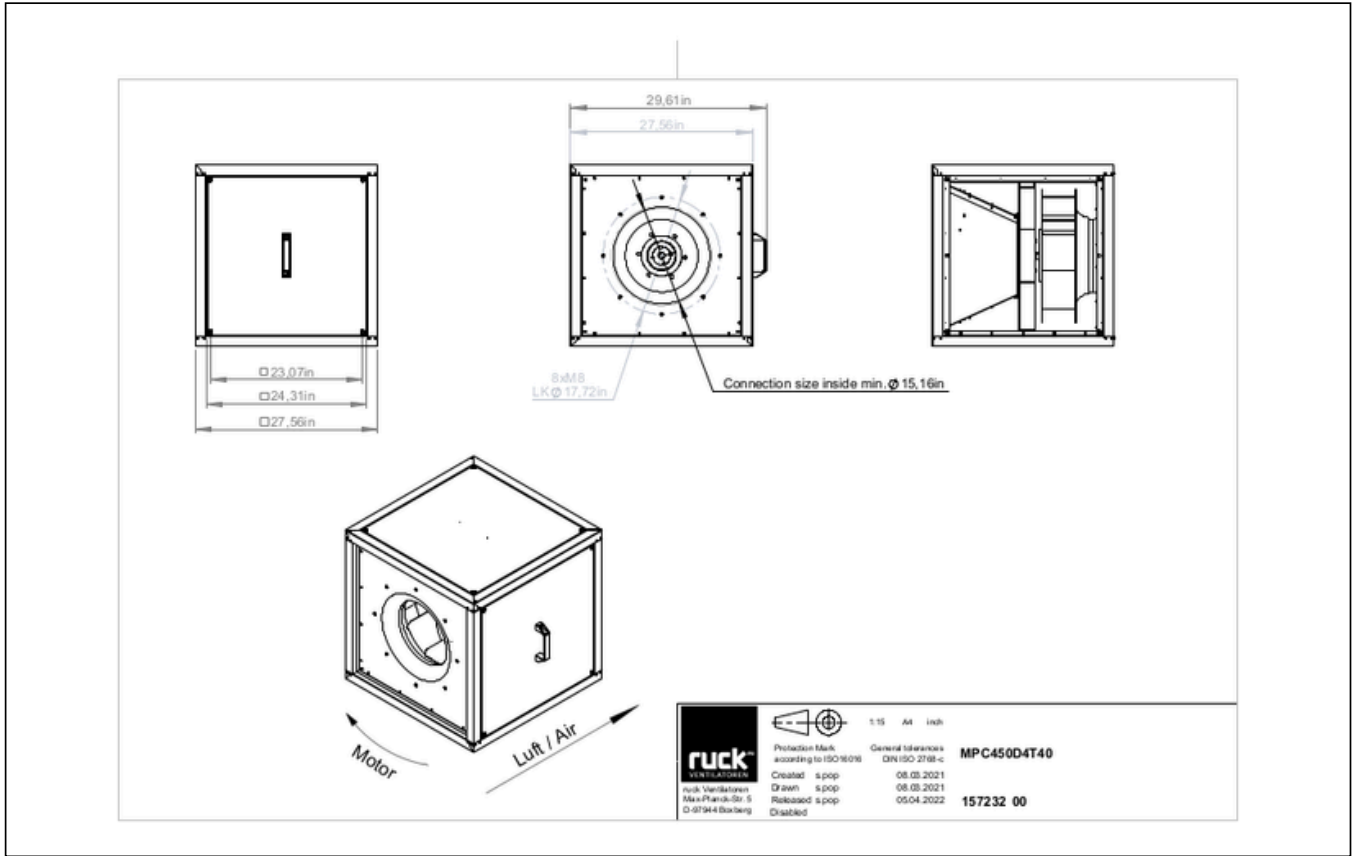
CIRCUIT DIAGRAMS / DIMENSIONAL DRAWINGS



to the product detail page

MPC 450 D4 T40

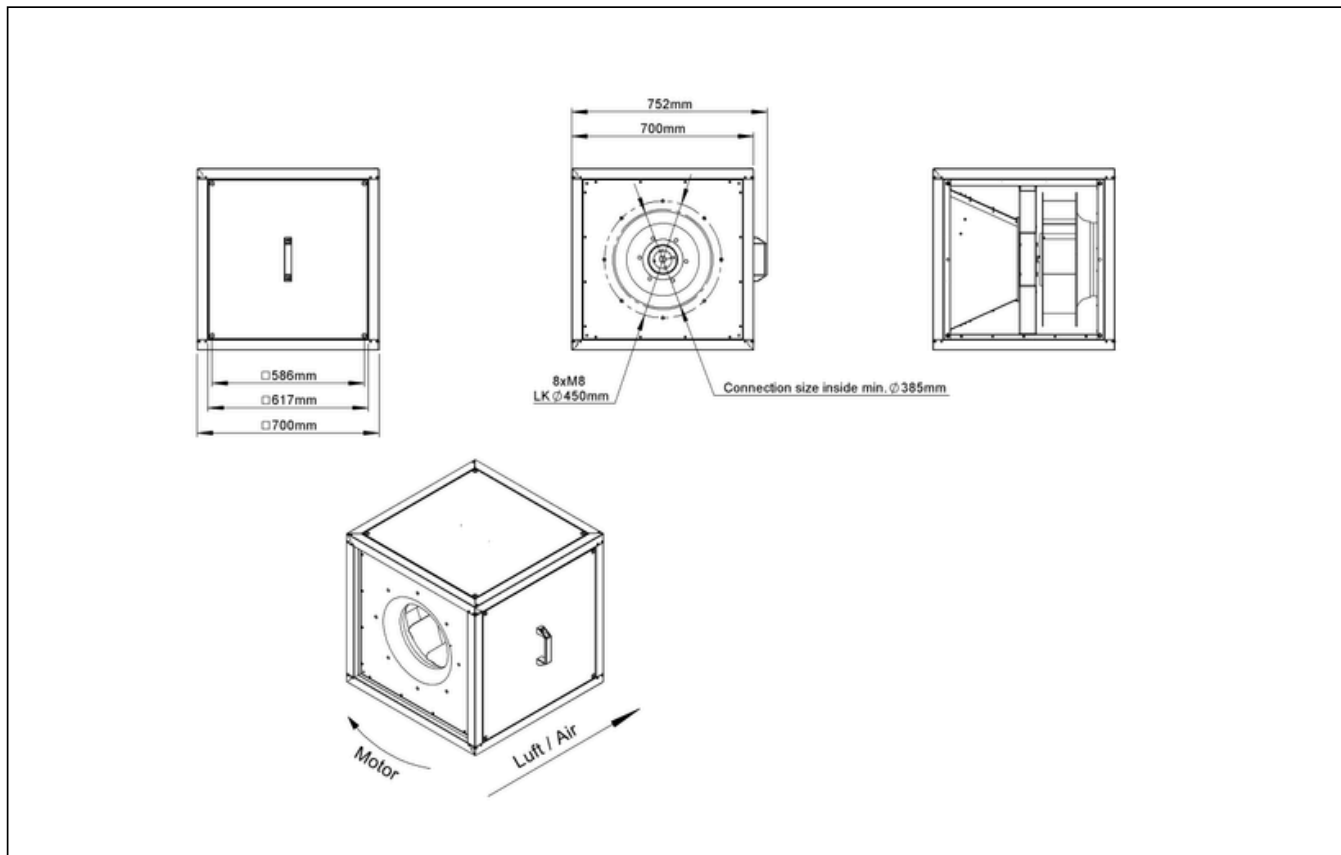
157232



to the product detail page

MPC 450 D4 T40

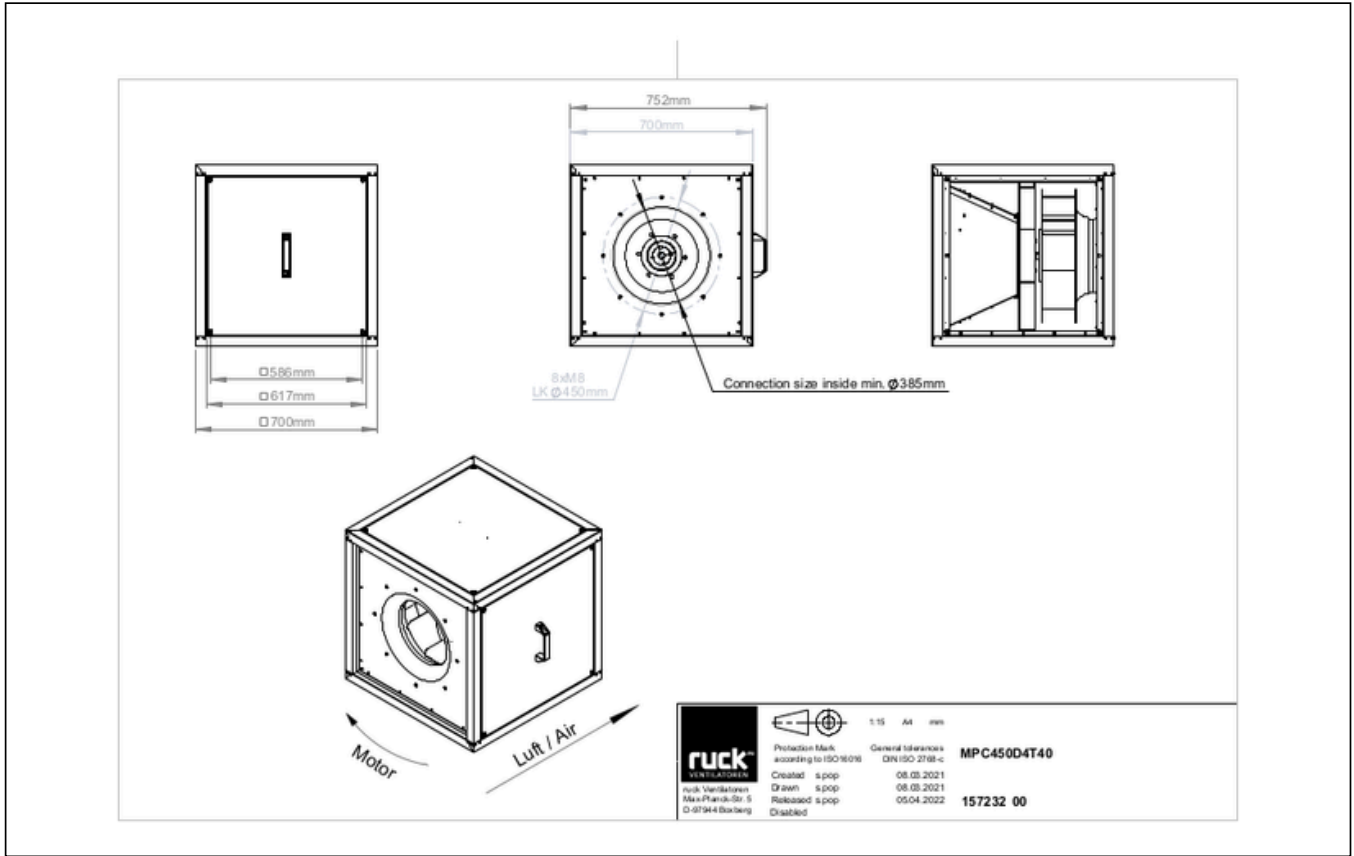
157232



to the product detail page

MPC 450 D4 T40

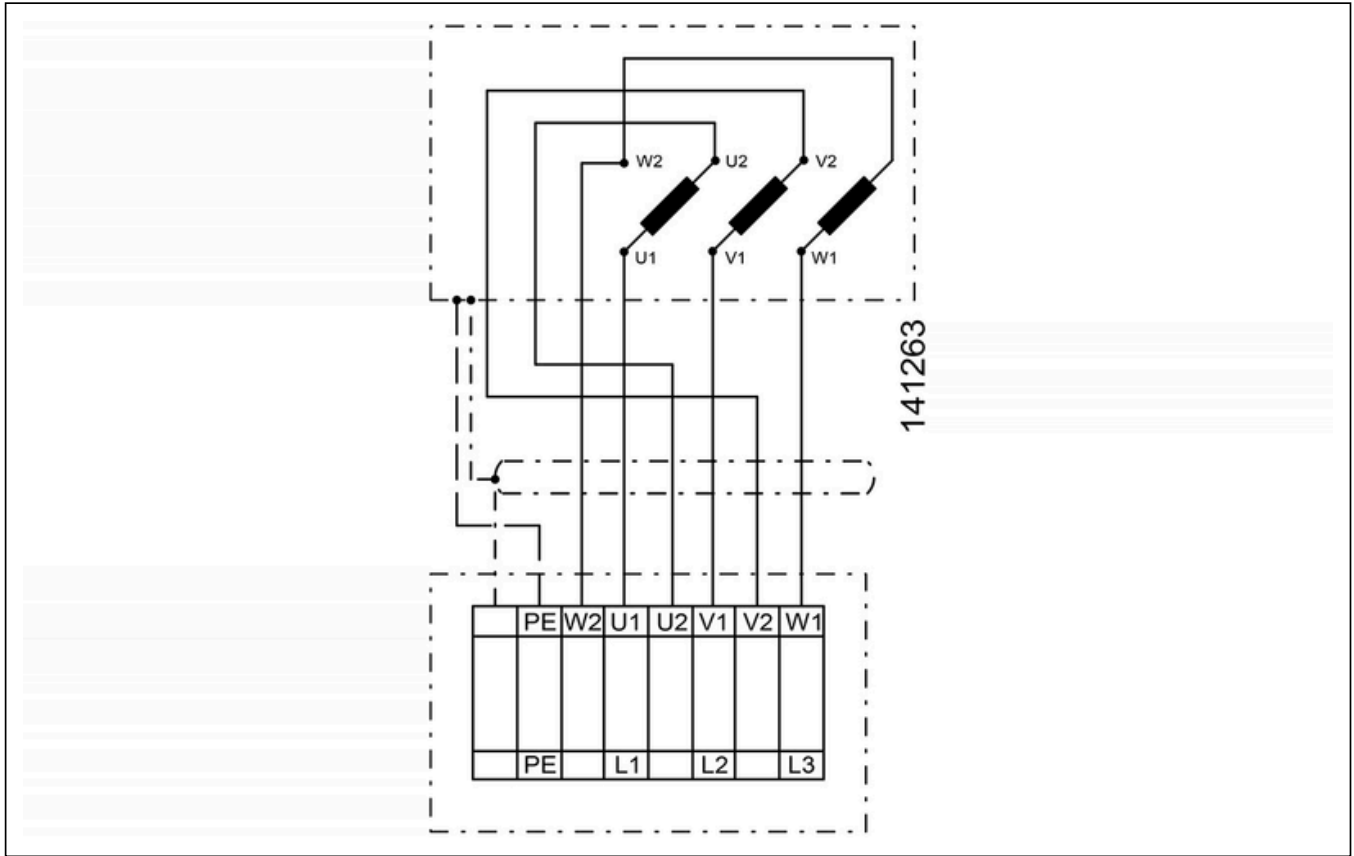
157232



to the product detail page

MPC 450 D4 T40

157232



to the product detail page

MPC 450 D4 T40

157232

MECHANICAL ACCESSORIES

FB 700 | 160866



- Air filter box for panel filter
- For MPC box 700
- For 1 or 2 filter (not included)
- Housing made of galvanized sheet steel

USM 700 400 | 107214



- Transition spigot
- Galvanized steel sheet
- Insulated

USM 700 450 | 107240



- Transition spigot
- Galvanized steel sheet
- Insulated

USM 700 500 | 107241



- Transition spigot
- Galvanized steel sheet
- Insulated

MB MPC 02 | 116410



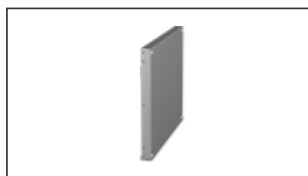
- Motor protection shield
- Sendzimir galvanized sheet

GR MPC 02 | 123432



- Base frame für MPC
- Galvanized steel sheet

UCP 700 | 142568



- Closed panel
- Galvanized steel sheet

RVK 400 | 153701



- Automatic tube shutter
- Sheet steel, powder coated
- For vertical installation
- Flange mounting

RVK H 400 | 153926



- Automatic tube shutter
- Sheet steel, powder coated
- For horizontal installation
- Flange mounting

UQR 700 400 01 | 139863



- Transition duct/tube
- Galvanized steel sheet
- Incl. 4 cylinder cap screws (M8 x 16 mm), 4 serrated lock washers for nominal size M8

UQR 700 450 01 | 139868



- Transition duct/tube
- Galvanized steel sheet
- Incl. 4 cylinder cap screws (M8 x 16 mm), 4 serrated lock washers for nominal size M8

UQR 700 500 01 | 139871



- Transition duct/tube
- Galvanized steel sheet
- Incl. 4 cylinder cap screws (M8 x 16 mm), 4 serrated lock washers for nominal size M8

VM 400 | 102654



- Fast clamps for sound decoupling and sealing
- Galvanized steel sheet, 5 mm
- Neopren gasket
- 1 Pack = 2 pieces

VM 500 | 118094



- Fast clamps for sound decoupling and sealing
- Galvanized steel sheet, 5 mm
- Neopren gasket
- 1 Pack = 2 pieces

VM 450 | 119495



- Fast clamps for sound decoupling and sealing
- Galvanized steel sheet, 5 mm
- Neopren gasket
- 1 Pack = 2 pieces

AS MPC 450 | 140852



- Inlet spigot
- Galvanized steel sheet

AS MPC 500 | 140871

RAF 400 | 154019

RVS 400 | 154183

ESD 400 | 153959



to the product detail page

MPC 450 D4 T40

157232



- Inlet spigot
- Galvanized steel sheet



- Round flange
- Sheet steel, powder coated

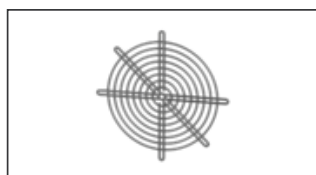


- Tube connection spigot
- Sheet steel, powder coated
- Suitable for outdoor installation
- Flange mounting



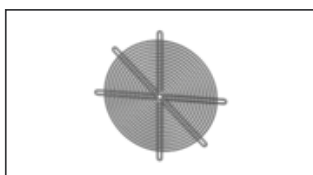
- Inlet cone
- Steel sheet, powder coated
- Flange mounting

SGW 400 | 154050



- Protection grille, wide meshed
- Steel sheet, galvanized
- Flange mounting

SGE 400 | 154074



- Protection grille, narrow meshed
- Steel sheet, galvanized
- Flange mounting

RD MPC 700 | 140093



- Rain cover for outdoor installation
- Galvanized steel sheet

WSH MPC 02 | 123433



- Weather protection hood
- Galvanized steel sheet

WSG MPC 700 | 140748



- Weather protection grille
- Galvanized steel sheet

RAS 400 | 154248



- Round spigot, flexible
- Galvanized steel sheet, plastic band (PES)
- Temperature resistant up to 75 °C
- Flange mounting



to the product detail page

MPC 450 D4 T40

157232

ELECTRICAL ACCESSORIES

GS 03 | 107633



- Device switch
- $U_{max} = 400\text{ V}$, $I_{max} = 25\text{ A}$
- Switching capacity $400\text{ V } 3\text{-} = 5,5\text{ kW}$
- Protection class IP 55

MS 02 | 140409



- Motor protection switch with Isolator switchfunktion
- $I_{max} = 400\text{ V}$, 50/60 Hz
- Max. 1.5 kW
- Protection class IP 55

MTP 20 | 128146



- Potentiometer 10 k Ω
- Switching contact 1A/250V AC - 2,5A/12V DC
- Max. ambient temperature 50 °C
- VDE

MTP 30 | 143289



- Stepped potentiometer 10 k Ω
- Step 1 + 2 settable 10 % - 100 % Vdc
- Step 3 100 % Vdc
- Supply voltage +10 Vdc

MTP 40 | 147359



- Potentiometer 10 k Ω
- Connection in terminal box
- Max. ambient temperature 50 °C
- PU: 20 pieces

SEN AIR | 148641



- Airflow and temperature transducer
- Measuring range temperature 0...+50 °C
- With adjustable switching threshold (air speed)
- Measuring range air velocity up to 20 m/s

CON P1000 | 115259



- Constant pressure control
- Actual value display possible via optional control unit
- Output 0-10 V DC + FC enable + setpoint reached
- Pressure setting by means of decade switch

FU 15 09 | 141843



- Frequency converter
- Supply voltage 230 V 1~ 50/60 Hz
- Output voltage 0 - 230 V 3~
- Protection class IP 20, for switch cabinet

FU 15 15 | 141865



- Frequency converter
- Supply voltage 400 V 3~ 50/60 Hz
- Output voltage 0 - 400 V 3~
- Protection class IP 20, for switch cabinet

FU 15 12 | 141854



- Frequency converter IP66
- Supply voltage 230 V 1~ 50/60 Hz
- Output voltage 0 - 230 V 3~
- Fire mode function (smoke extract fans)

FU 15 18 | 141876



- Frequency converter
- Supply voltage 400 V 3~ 50/60 Hz
- Output voltage 0 - 400 V 3~
- Fire mode function (smoke extract fans)

MTP 50 | 153133



- Potentiometer with multifunction output
- 230 VAC $\pm 10\%$ / 50-60 Hz
- Selectable output: 1-10 VDC / 2-20 mA / 10-100 % PWM
- Min. and max. output value adjustable

