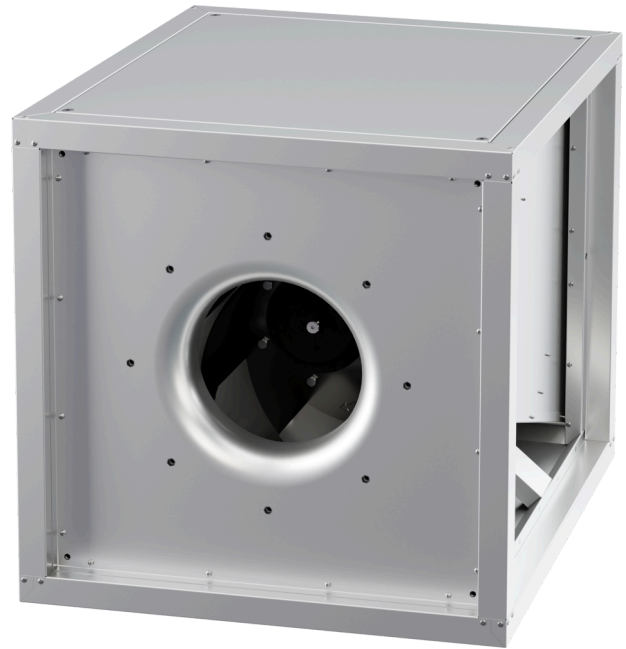


MPC 400 D4 T40

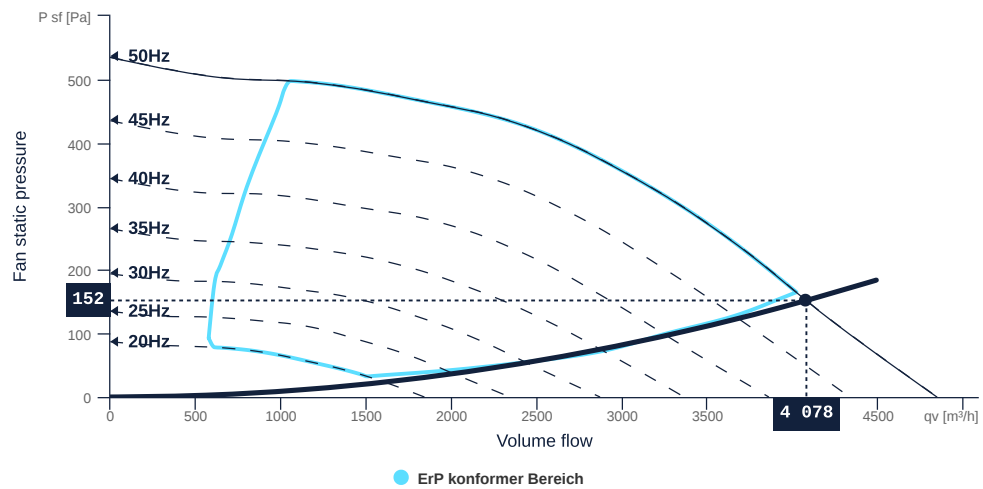
157231

- Backward curved centrifugal impeller
- Removable side walls, variable discharge direction
- Sheet steel housing double-walled, 30 mm mineral wool
- IE3 motor outside the airflow, controllable
- Conveyed medium temperature up to 120 °C in continuous operation
- Housing bottom designed with integrated drain



FAN CURVES

Name	Value	Unit
Volume flow	4078	m³/h
Pressure	152	Pa



to the product detail page

MPC 400 D4 T40

157231

TECHNICAL SPECIFICATIONS

Name	Value	Unit	Formula symbol
Volume flow	4078	m ³ /h	qv _{calc}
Pressure	152	Pa	ps _{calc}
Fan pressure	158	Pa	pf
Fan static pressure	152	Pa	psf
Current consumption Motor	0	A	le
Current consumption Electric	0	A	led
Electrical power consumption	482	W	P _{ek}
Electrical power consumption	520	W	P _{edk}
Frequency	49	Hz	frq
Rotation speed	1452	1/min	N
Total static efficiency	35	%	etaFaPeK
Total speed controlled static efficiency	33	%	etaFaPedK
Total efficiency	37	%	etatPeK
Total speed controlled efficiency	34	%	etatPedK
SFP (entire device)	426	W/(m ³ /s)	sfp _{device}
Sound power level inlet	78	dB(A)	LwA5
Sound power level outlet	80	dB(A)	LwA6
Sound power level housing radiation	68	dB(A)	LwA2

SOUND DATA

Sound power	mid-frequency tape										Unit	Formula symbol
	Σ	63	125	250	500	1000	2000	4000	8000	16000		
suction	78	45	71	70	73	70	68	70	61	48	dB(A)	LwA5
blowout	80	44	70	70	74	75	71	70	59	44	dB(A)	LwA6
Casing break out	69	45	64	60	65	61	54	48	39	42	dB(A)	LwA2

SOUND PRESSURE LEVEL CALCULATOR

Name	Value	Unit
Enveloping surface	Halphsphere	
Distance	3	m

Sound pressure	NR	mid-frequency tape										Unit	Formula symbol
		Σ	63	125	250	500	1000	2000	4000	8000	16000		
suction	56	61	27	54	52	55	52	51	52	44	30	dB(A)	LwA5
blowout	57	63	26	53	53	57	58	53	52	41	26	dB(A)	LwA6
Casing break out	46	51	27	46	42	47	43	37	31	21	24	dB(A)	LwA2



to the product detail page

MPC 400 D4 T40

157231

GENERAL DATA

Name	Value	Unit	Formula symbol
Labeling	CE, UKCA		
Duct size	-		WxH _{duct}
Pipe connection size (DN)	DN500		DN
Rated voltage (entire device)	400	V	U _{rated}
Phases (entire device)	3~		phase
Electrical protection (entire device)	6 A		fuse
Housing material	Galvanized steel		mat _{casing}
Impeller material	Coated steel		mat _{impeller}
Weight	65	kg	m
Nominal air flow rate, nominal point m ³ /h	2725.2	m ³ /h	q _{v,nom}
Nominal external pressure, static	394.8	Pa	p _{s,nom}
Fan type	Radial		Fan _{type}
Category / Installation situation	A		cat

ERP DATA (LOT 6)

Name	Value	Unit	Formula symbol
Nominal air flow rate, nominal point m ³ /s	0.76	m ³ /s	q _{v,nom}
Actual electrical input power, nominal point	0.56	kW	P _{e,nom}
Face velocity, nominal point	2.4	m/s	v _{nom}
Nominal external pressure, static	394.8	Pa	p _{s,nom}
supply air fan static efficiency, nominal point	58.3	%	η _{es,SUP}
Highest external air leakage rate	0.11	%	
Enclosure sound level, nominal point	70	dB(A)	L _{WA2}
Rating	Product is compliant 2018		

MAXIMAL DATA

Name	Value	Unit	Formula symbol
Max. power consumption (device)	564	W	P _{ed, max}
Max. operating current (device)	1.1	A	I _{ed, max}
Max. speed	1470	1/min	n _{max}
Max. stat. efficiency	50.5	%	η _{es}
Max. fan efficiency	50.9	%	η _e
Max. flowrate	4840	m ³ /h	q _{v, max}
Max. stat pressure	505	Pa	p _{sf, max}
Max. medium temperature	120	°C	T _{m, max}
Max. environment temperature	60	°C	T _{amb, max}
Min. environment temperature	-20	°C	T _{amb, min}



to the product detail page

MPC 400 D4 T40

157231

ruck

MOTOR DATA

Name	Value		Unit	Formula symbol
	50 Hz	60 Hz		
Rated frequency (device)		50		f
Motor type		AC 3~		phase
Control type		frequency-controlled		ctrltype
Installation type		IRM (In)		install
Rotation direction		right		rotation
Isolation class		ISO F		ISOclass
Protection class		IP55		IPmotor
Is pole-changeable		No		polexch
Type of power supply		AC 3~		pwrsupmotor
Number of poles (1)		4.000000		num polesw1
Connection	Δ	Y		wiringw1
Connection (wiring 2)	Y			wiringw2
Rated voltage	230	460	V	U _{rated, f1}
Rated voltage (wiring 2)	400		V	U _{rated, f2}
Rated current	2.14	1.09	A	I _{rated, f1}
Rated current (wiring 2)	1.23		A	I _{rated, f2}
Shaft power	550	550	W	P _{out, f1}
Shaft power (wiring 2)	550		W	P _{out, f2}
Speed	1420	1720	1/min	n _{f1}
Speed (wiring 2)	1420		1/min	n _{f2}
Starting current	14.1	7.96	A	I _{start, f1}
Starting current (wiring 2)	8.12		A	I _{start, f2}
Efficiency	80.8	81.5	%	$\eta_m, f1$
Efficiency (wiring 2)	80.8		%	$\eta_m, f2$
Efficiency class	IE3	IE3		IE _{motor}
Min. temperature	-20	-20	°C	T _{motor, min}
Cos Phi	0.800000	0.780000		cos φ
UL-Certification motor		UL recognized		ULcert

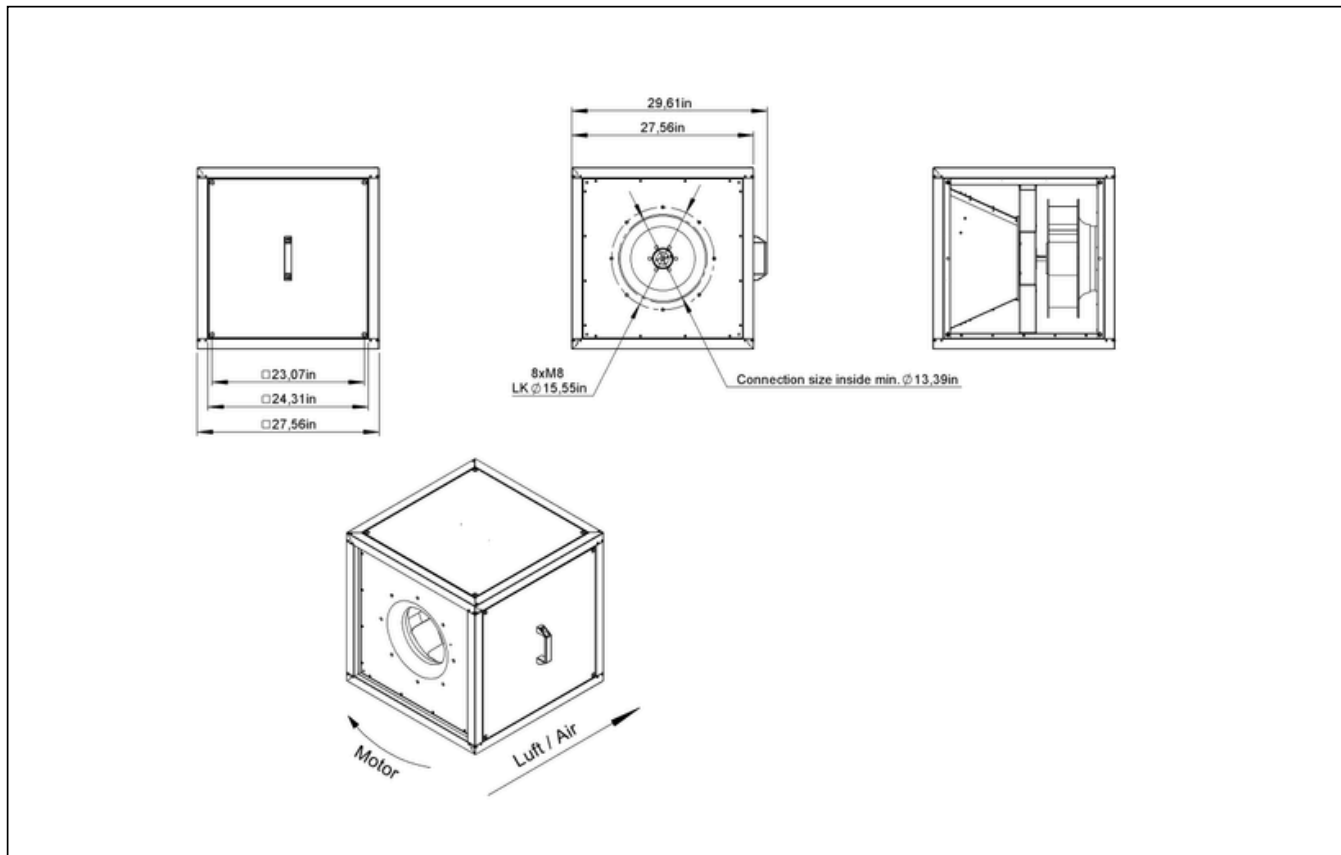


to the product detail page

MPC 400 D4 T40

157231

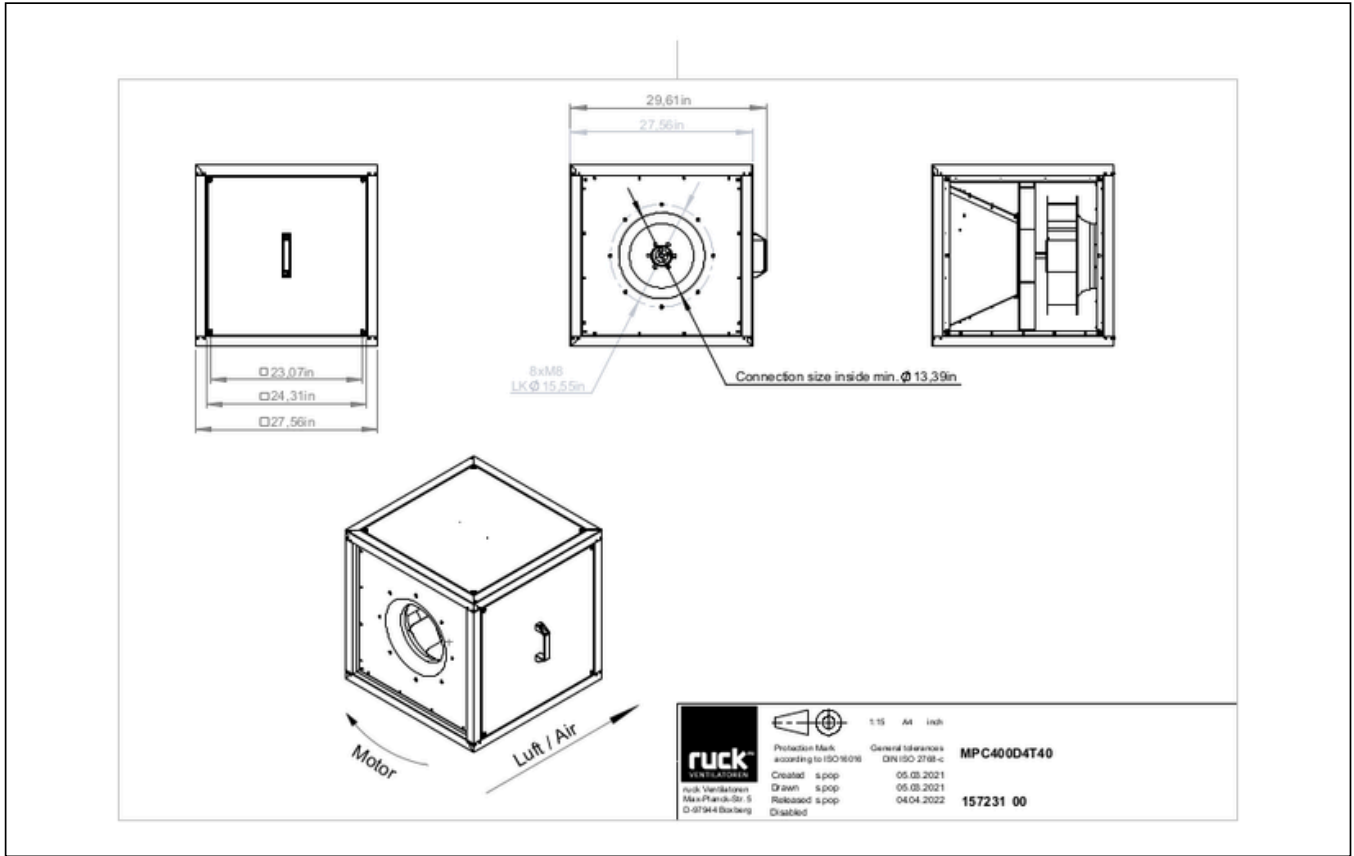
CIRCUIT DIAGRAMS / DIMENSIONAL DRAWINGS



to the product detail page

MPC 400 D4 T40

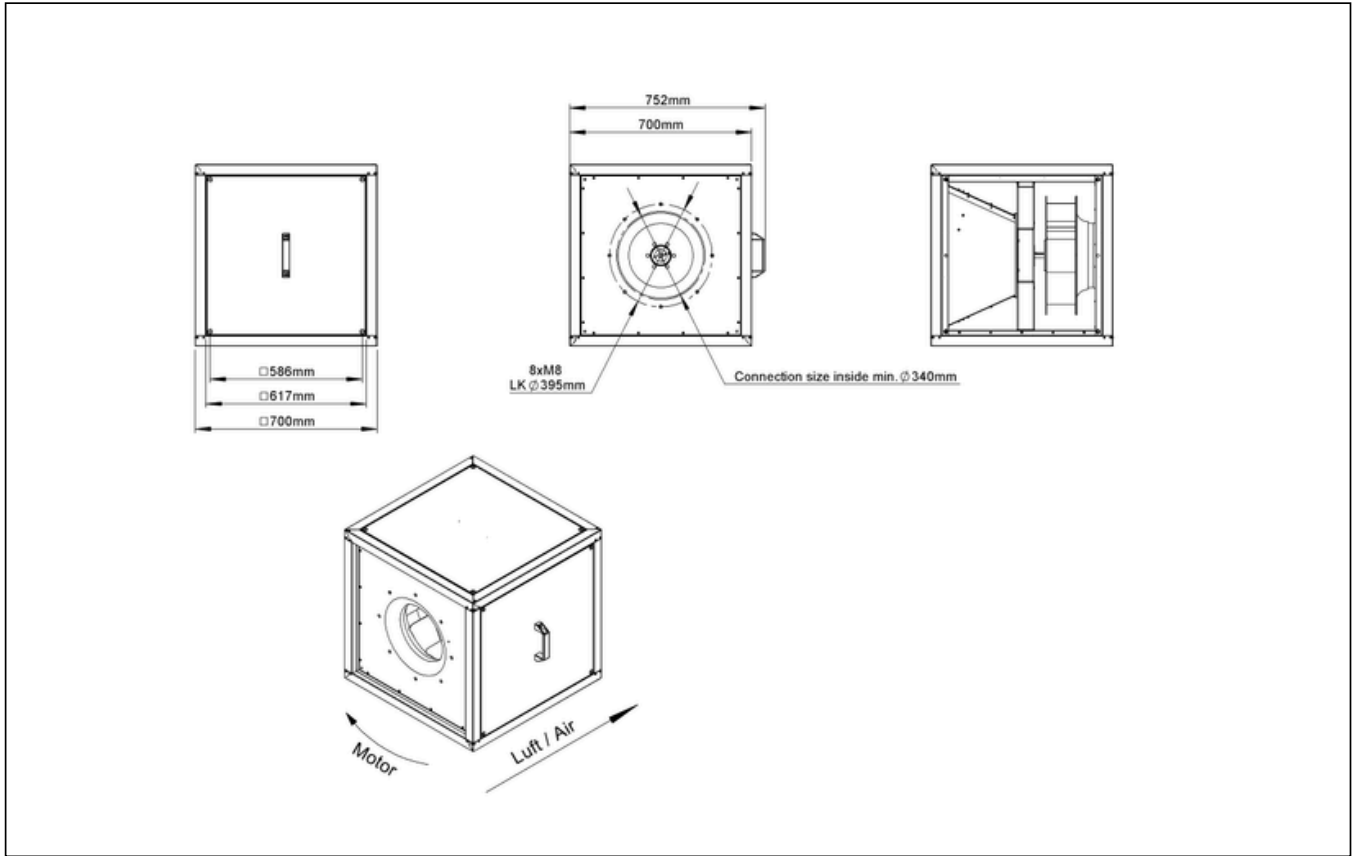
157231



to the product detail page

MPC 400 D4 T40

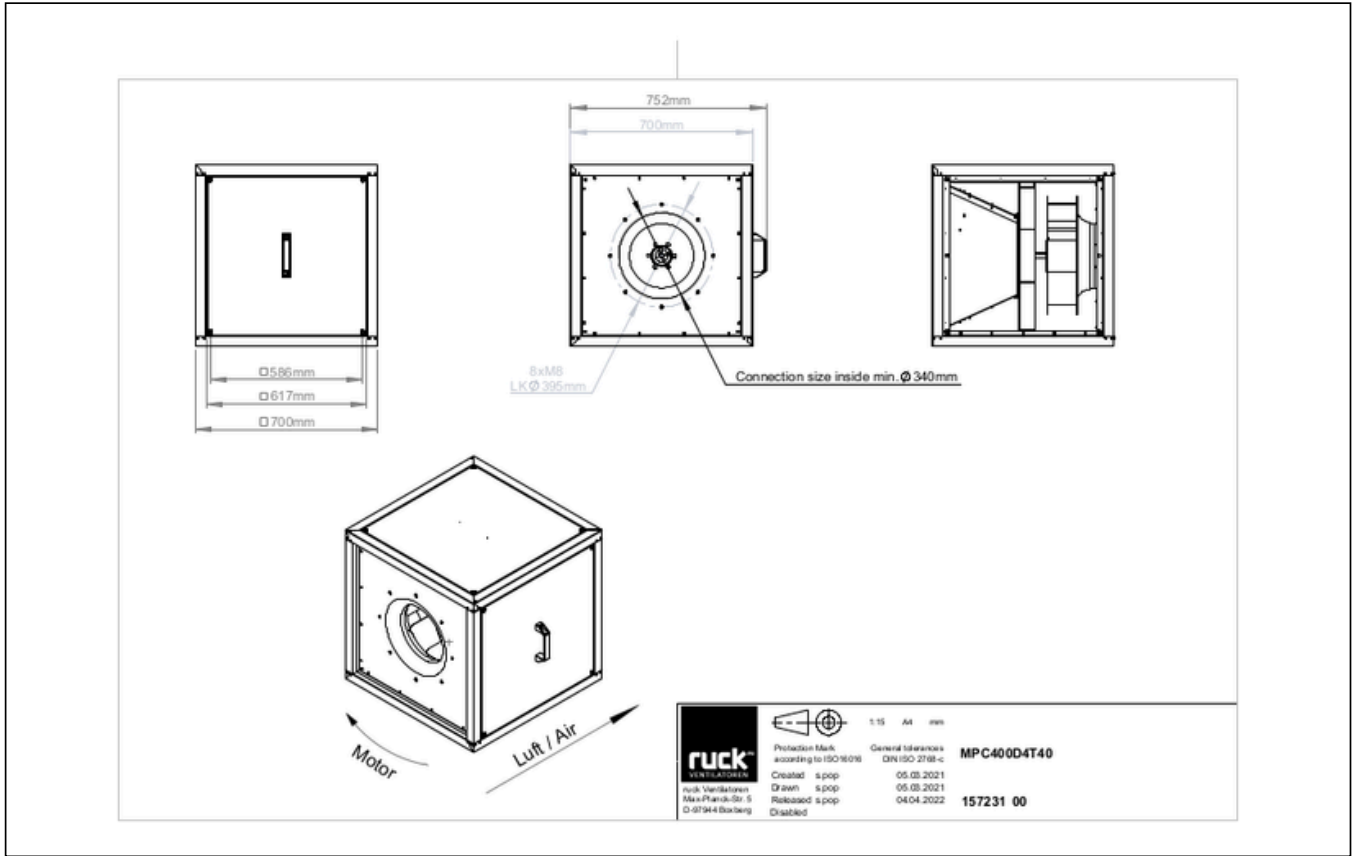
157231



to the product detail page

MPC 400 D4 T40

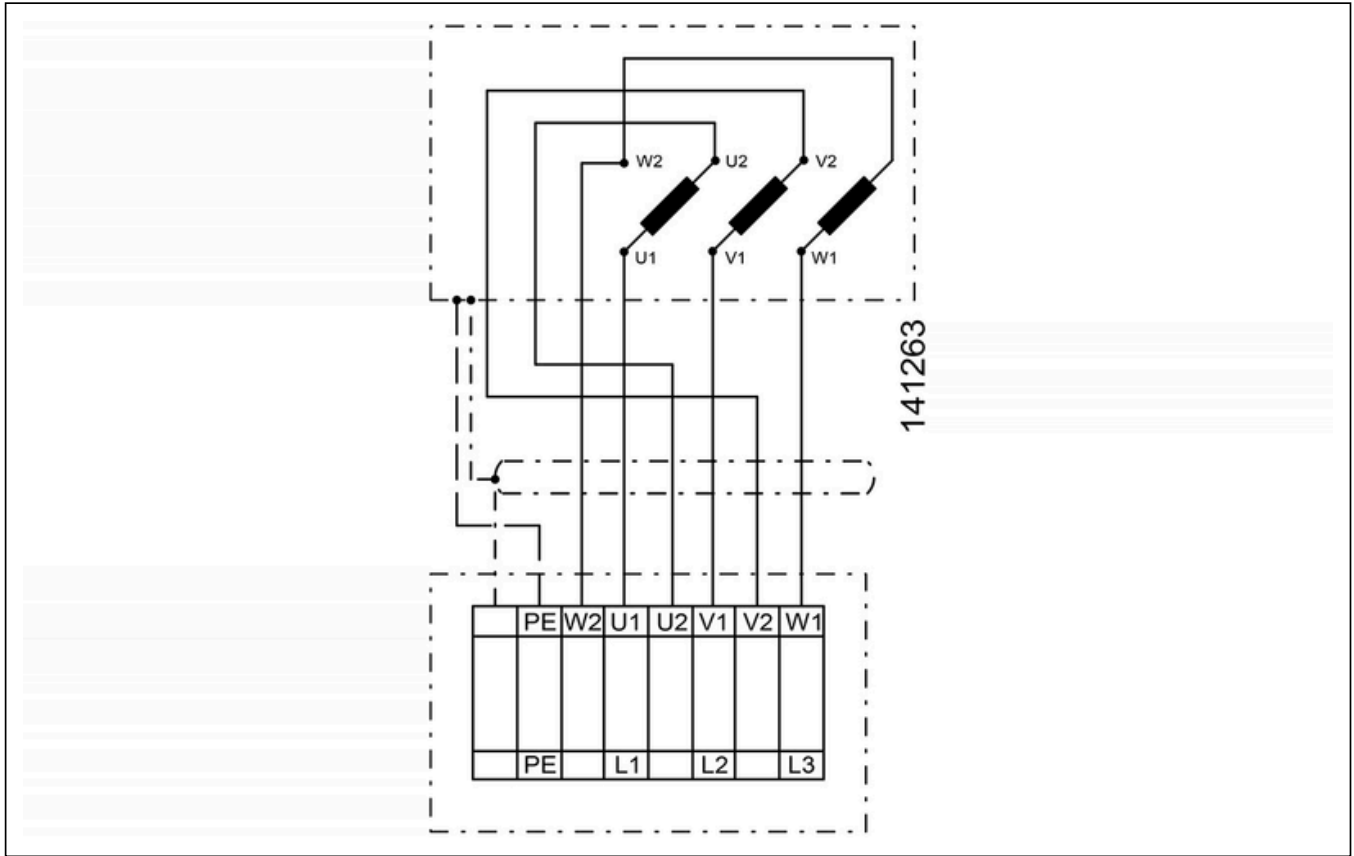
157231



to the product detail page

MPC 400 D4 T40

157231



to the product detail page

MPC 400 D4 T40

157231

MECHANICAL ACCESSORIES

FB 700 | 160866



- Air filter box for panel filter
- For MPC box 700
- For 1 or 2 filter (not included)
- Housing made of galvanized sheet steel

USM 700 400 | 107214



- Transition spigot
- Galvanized steel sheet
- Insulated

USM 700 450 | 107240



- Transition spigot
- Galvanized steel sheet
- Insulated

USM 700 500 | 107241



- Transition spigot
- Galvanized steel sheet
- Insulated

MB MPC 02 | 116410



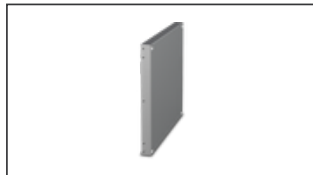
- Motor protection shield
- Sendzimir galvanized sheet

GR MPC 02 | 123432



- Base frame für MPC
- Galvanized steel sheet

UCP 700 | 142568



- Closed panel
- Galvanized steel sheet

RVK 355 | 153889



- Automatic tube shutter
- Sheet steel, powder coated
- For vertical installation
- Flange mounting

RVK H 355 | 154872



- Automatic tube shutter
- Sheet steel, powder coated
- For horizontal installation
- Flange mounting

UQR 700 400 01 | 139863



- Transition duct/tube
- Galvanized steel sheet
- Incl. 4 cylinder cap screws (M8 x 16 mm), 4 serrated lock washers for nominal size M8

UQR 700 450 01 | 139868



- Transition duct/tube
- Galvanized steel sheet
- Incl. 4 cylinder cap screws (M8 x 16 mm), 4 serrated lock washers for nominal size M8

UQR 700 500 01 | 139871



- Transition duct/tube
- Galvanized steel sheet
- Incl. 4 cylinder cap screws (M8 x 16 mm), 4 serrated lock washers for nominal size M8

VM 400 | 102654



- Fast clamps for sound decoupling and sealing
- Galvanized steel sheet, 5 mm
- Neopren gasket
- 1 Pack = 2 pieces

VM 500 | 118094



- Fast clamps for sound decoupling and sealing
- Galvanized steel sheet, 5 mm
- Neopren gasket
- 1 Pack = 2 pieces

VM 450 | 119495



- Fast clamps for sound decoupling and sealing
- Galvanized steel sheet, 5 mm
- Neopren gasket
- 1 Pack = 2 pieces

AS MPC 400 | 140847



- Inlet spigot
- Galvanized steel sheet

AS MPC 450 | 140852

AS MPC 500 | 140871

RAF 355 | 154018

RVS 355 | 154176



to the product detail page

MPC 400 D4 T40

157231



- Inlet spigot
- Galvanized steel sheet



- Inlet spigot
- Galvanized steel sheet



- Round flange
- Sheet steel, powder coated



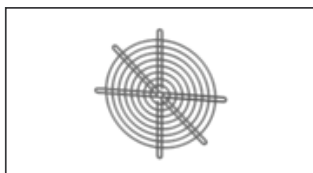
- Tube connection spigot
- Sheet steel, powder coated
- Suitable for outdoor installation
- Flange mounting

ESD 355 | 153961



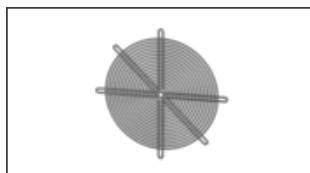
- Inlet cone
- Steel sheet, powder coated
- Flange mounting

SGW 355 | 154049



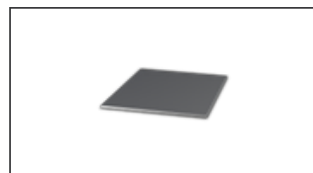
- Protection grille, wide meshed
- Steel sheet, galvanized
- Flange mounting

SGE 355 | 154062



- Protection grille, narrow meshed
- Steel sheet, galvanized
- Flange mounting

RD MPC 700 | 140093



- Rain cover for outdoor installation
- Galvanized steel sheet

WSH MPC 02 | 123433



- Weather protection hood
- Galvanized steel sheet

WSG MPC 700 | 140748



- Weather protection grille
- Galvanized steel sheet

RAS 355 | 154247



- Round spigot, flexible
- Galvanized steel sheet, plastic band (PES)
- Temperature resistant up to 75 °C
- Flange mounting



to the product detail page

MPC 400 D4 T40

157231

ELECTRICAL ACCESSORIES

GS 03 | 107633



- Device switch
- $U_{max} = 400\text{ V}$, $I_{max} = 25\text{ A}$
- Switching capacity $400\text{ V } 3\sim = 5,5\text{ kW}$
- Protection class IP 55

MS 01 | 140407



- Motor protection switch with Isolator switchfunktion
- $I_{max} = 400\text{ V}$, 50/60 Hz
- Max. 0.55 kW
- Protection class IP 55

MTP 20 | 128146



- Potentiometer 10 kΩ
- Switching contact 1A/250V AC - 2,5A/12V DC
- Max. ambient temperature 50 °C
- VDE

MTP 30 | 143289



- Stepped potentiometer 10 kΩ
- Step 1 + 2 settable 10 % - 100 % Vdc
- Step 3 100 % Vdc
- Supply voltage +10 Vdc

MTP 40 | 147359



- Potentiometer 10 kΩ
- Connection in terminal box
- Max. ambient temperature 50 °C
- PU: 20 pieces

SEN AIR | 148641



- Airflow and temperature transducer
- Measuring range temperature 0...+50 °C
- With adjustable switching threshold (air speed)
- Measuring range air velocity up to 20 m/s

CON P1000 | 115259



- Constant pressure control
- Actual value display possible via optional control unit
- Output 0-10 V DC + FC enable + setpoint reached
- Pressure setting by means of decade switch

FU 075 13 | 141842



- Frequency converter
- Supply voltage 230 V 1~ 50/60 Hz
- Output voltage 0 - 230 V 3~
- Protection class IP 20, for switch cabinet

FU 075 19 | 141853



- Frequency converter IP66
- Supply voltage 230 V 1~ 50/60 Hz
- Output voltage 0 - 230 V 3~
- Fire mode function (smoke extract fans)

FU 075 25 | 141864



- Frequency converter
- Supply voltage 400 V 3~ 50/60 Hz
- Output voltage 0 - 400 V 3~
- Protection class IP 20, for switch cabinet

FU 075 31 | 141875



- Frequency converter
- Supply voltage 400 V 3~ 50/60 Hz
- Output voltage 0 - 400 V 3~
- Fire mode function (smoke extract fans)

MTP 50 | 153133



- Potentiometer with multifunction output
- 230 VAC $\pm 10\%$ / 50-60 Hz
- Selectable output: 1-10 VDC / 2-20 mA / 10-100 % PWM
- Min. and max. output value adjustable

