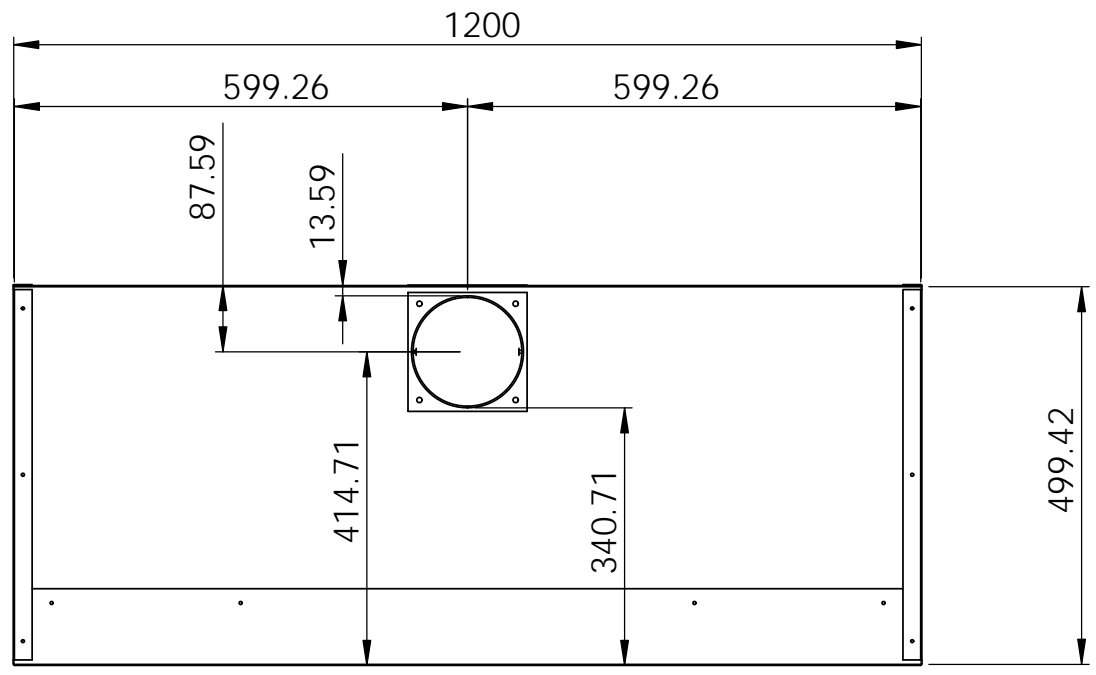


4 3 2 1

F

F

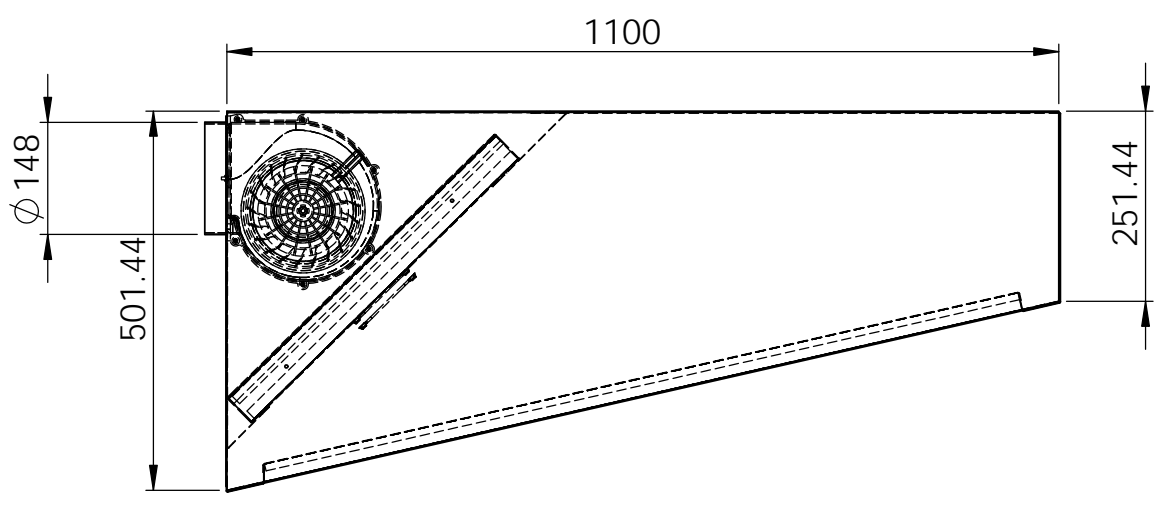


E

E

D

D



C

C

B

B

UNLESS OTHERWISE SPECIFIED: DIMENSIONS ARE IN MILLIMETERS SURFACE FINISH: TOLERANCES: LINEAR: ANGULAR:	FINISH:	DEBURR AND BREAK SHARP EDGES	DO NOT SCALE DRAWING	REVISION

	NAME	SIGNATURE	DATE		
DRAWN					
CHK'D					
APPV'D					
MFG					
Q.A					

TITLE:	
MATERIAL:	
DWG NO.	
SCALE: 1:50	
SHEET 1 OF 1	

1200 Hole Position Index

A4

4 3 2 1

A

A